

# ORDER INFORMATION

## Electrical

Standard: UL IEC  
 Rated Voltage: 300V 450V  
 Rated Current: 12A 17.5A  
 Contact Resistance: 20mΩ  
 Insulation Resistance: 500MΩ / DC 500V  
 Withstanding Voltage: AC 2000V for one minute  
 Wire range: 28~14AWG 1.5mm<sup>2</sup>

## Mechanical

Steip Length: 7-8mm  
 Temp. Range: -40°C~+105°C

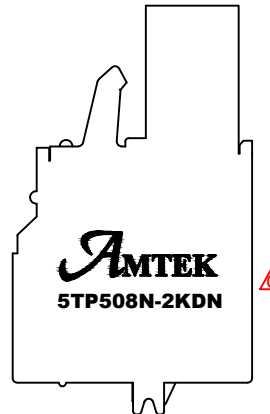
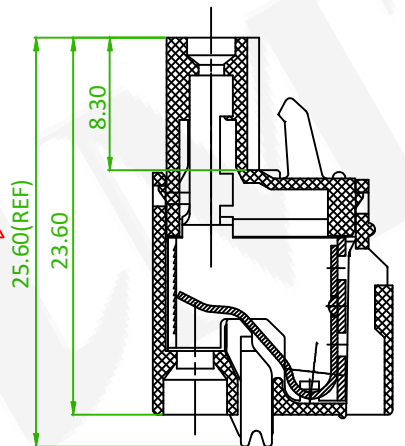
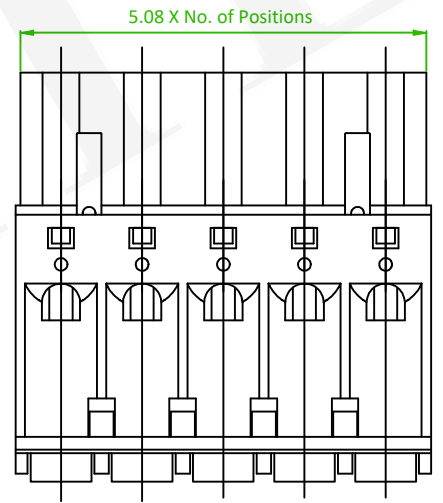
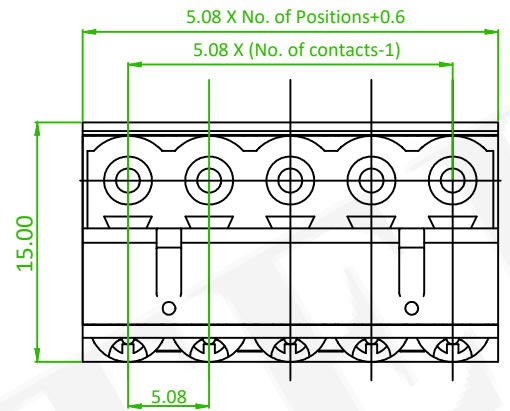
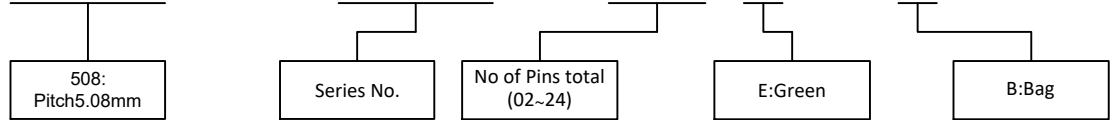
## Dimensions

Pitch: 5.08mm  
 Poles: 2-24P

## Material

Housing: Nylon66, UL94V-0  
 Clamp: Phosphor bronze, Ni plated  
 Shrapnel: Stainless steel

5 T P 5 0 8 N - 2 K D N X X X L X - 0 1



Old Part No. : TB2EKD-5.08

linear dimension (Tolerances Standard GB/T 14486-2008)								—	∕	⊥
variable range	to 6	over 6 to 10	over 10 to 30	over 30 to 60	over 60 to 100	over 100 to 160	over 160 to 250	to 10	over 10 to 100	over 100 to 250
tolerance	±0.20	±0.30	±0.50	±0.70	±1.00	±1.30	±1.60	0.10	0.30	0.60

△	ECN NO: 231120 Revise the drawing	Alice	2023/12/12
△x1	Add the Logo	Alice	2023/05/25
△x1	ECN NO: 200718 Revise the Tolerance	Alice	2020/09/18
REV.	ECN NO. OR DESCRIPTION	REVISED	DATE

**糧德精密有限公司**  
 Amtek Technology Co., Ltd.  
 TEL: 886-2-2260-6878  
 FAX: 886-2-2260-8030

品名 TITLE	Terminal Block				頁數 Page	1/1
品號 PART NO.	5TP508N-2KDNXXXLX-01				繪圖 DRAWN	Mia 2016/08/23
圖號 DRAWING NO.	GN011-AL307	版本 REV.	D	核對 CHECKED	Jonny 2016/08/23	
客戶品號 CUSTOMER P/N		比例 SCALE	None	承認 APPROVED	Aaron 2016/08/23	
公差 TOLERANCE		單位 UNIT	mm	THIRD ANGLE PROJECTION		