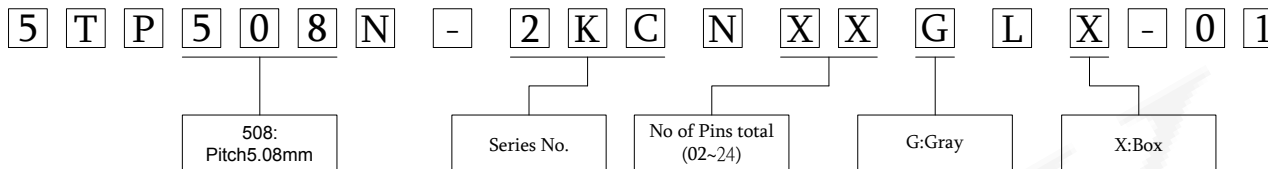


ORDER INFORMATION

ELECTRICAL

Standard: UL IEC
 Rated Voltage: 300V 450V
 Rated Current: 15A 17.5A
 Contact Resistance: 20mΩ
 Insulation Resistance: 500MΩ / DC 500V
 Withstanding Voltage: AC 2000V for one minute
 Wire range: 28~14AWG 1.5mm²

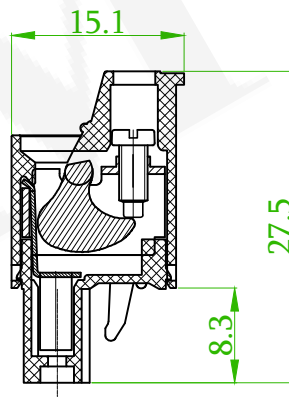
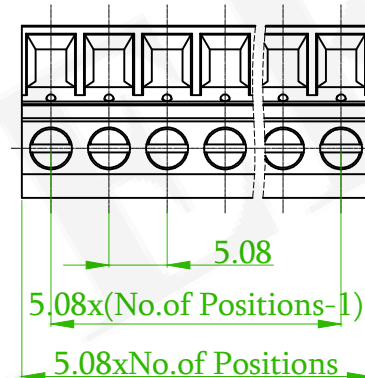


MECHANICAL

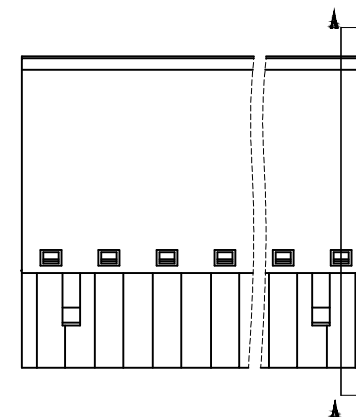
Temp. Range: -40°C~+105°C
 Torque: 0.4Nm (3.6Lb.in)
 Strip Length: 7-8mm

MATERIAL

Housing: PA66, UL94V-0
 Screws: M2.5 Steel, Zn Plated
 Clamp: Phosphor Bronze, Ni Plated
 Cage: Steel, Zn Plated
 Slide Block: Steel, Zn Plated



SECTION A-A



linear dimension (Tolerances Standard GB/T 14486-2008)								—	∕	⊥
variable range	to 6	over 6 to 10	over 10 to 30	over 30 to 60	over 60 to 100	over 100 to 160	over 160 to	to 10	over 10 to 100	over 100 to
tolerance	±0.20	±0.30	±0.50	±0.70	±1.00	±1.30	±1.60	0.10	0.30	0.60

REV.	ECN NO. OR DESCRIPTION	REVISED	DATE
△x1	ECN NO:200718 Revise the Tolerance	Alice	2020/09/18

糧德精密有限公司
 Amtek Technology Co., Ltd.
 TEL: 886-2-2260-6878
 FAX: 886-2-2260-8030

品名 TITLE	5.08mm Terminal Block				頁數 Page	1/1
品號 PART NO.	5TP508N-2KCNXXGLX-01			繪圖 DRAWN	Roy 2018/05/29	
圖號 DRAWING NO.	GN011-RR526	版本 REV.	B	核對 CHECKED	Josh 2018/05/29	
客戶品號 CUSTOMER P/N		比例 SCALE	None	承認 APPROVED	Jason 2018/05/29	
公差 TOLERANCE	.X ± 0.38 .XX ± 0.25	X° ± 3°	單位 UNIT	mm	THIRD ANGLE PROJECTION	