

# ORDER INFORMATION

## Electrical

Standard: UL IEC  
 Rated Voltage: 300V 450V  
 Rated Current: 15A 17.5A  
 Contact Resistance: 20mΩ  
 Insulation Resistance: 500MΩ / DC 500V  
 Withstanding Voltage: AC 2000V for one minute  
 Wire range: 28~14AWG 1.5mm<sup>2</sup>

## Mechanical

Torque(Max): 0.5Nm(4.5Lb.in)  
 Temp. Range: -40°C~+105°C

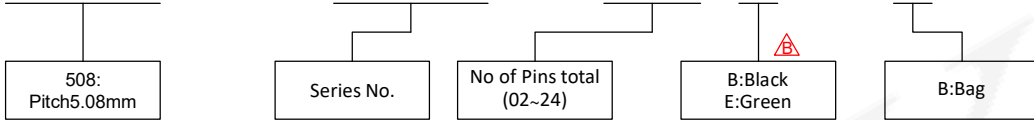
## Dimensions

Pitch: 5.08mm  
 Poles: 2-24P

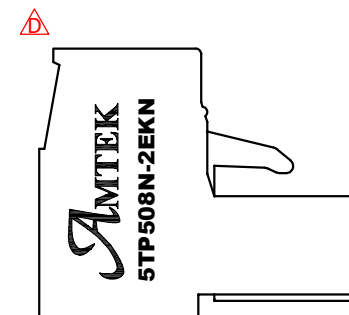
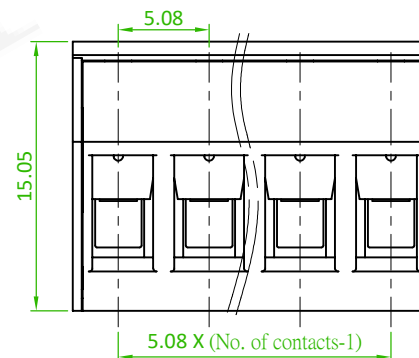
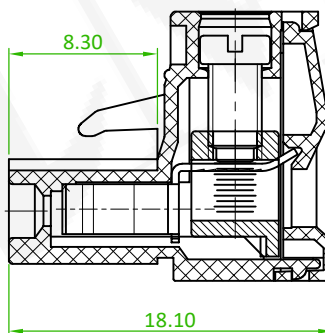
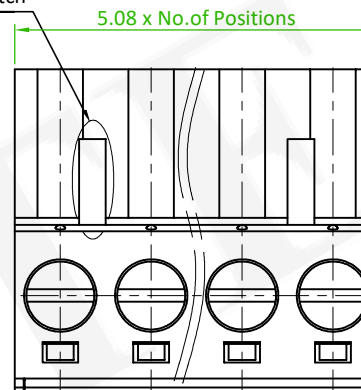
## Material

Housing: Nylon66, UL94V-0  
 Screws: M3.0 Steel, Zn plated  
 Clamp: Phosphor bronze, Ni plated  
 Wire guard: Brass, Ni plated

5 T P 5 0 8 N - 2 E K N X X X L B - 0 1



Only 2P with Latch



linear dimension (Tolerances Standard GB/T 14486-2008)



variable range	to 6	over 6 to 10	over 10 to 30	over 30 to 60	over 60 to 100	over 100 to 160	over 160 to 10	over 10 to 100	over 100 to 100	
tolerance	±0.20	±0.30	±0.50	±0.70	±1.00	±1.30	±1.60	0.10	0.30	0.60

Old Part No. : TB2EK-5.08-XXP-14-00A-L

△x1	ECN NO:210508 Add the LOGO	David	2021/06/14
△x1	ECN NO:200718 Revise the Tolerance	Alice	2020/09/18
△x1	Add the color	Mia	2017/11/16
REV.	ECN NO. OR DESCRIPTION	REVISED	DATE



糧德精密有限公司  
 Amtek Technology Co., Ltd.  
 TEL: 886-2-2260-6878  
 FAX: 886-2-2260-8030

品名 TITLE	Terminal Block				頁數 Page	1/1
品號 PART NO.	5TP508N-2EKNXXXLB-01			繪圖 DRAWN	Mia 2016/08/18	
圖號 DRAWING NO.	GN011-MC758	版本 REV.	D	核對 CHECKED	Boris 2016/08/18	
客戶品號 CUSTOMER P/N		比例 SCALE	None	承認 APPROVED	Boris 2016/08/18	
公差 TOLERANCE		單位 UNIT	mm	THIRD ANGLE PROJECTION	