

ELECTRICAL

Standard UL IEC
 Rated Voltage 300V 320V
 Rated Current 15A 10A
 Contact Resistance 20mΩ
 Withstanding Voltage AC 2000V for one min
 Insulation Resistance 500MΩ
 Wire range 28-14AWG 2.5mm²

ORDER INFORMATION

5 T P 5 0 8 N - 2 E K E X X E L B - 0 1

Series No. Poles (02-24P) E-Green b-bag

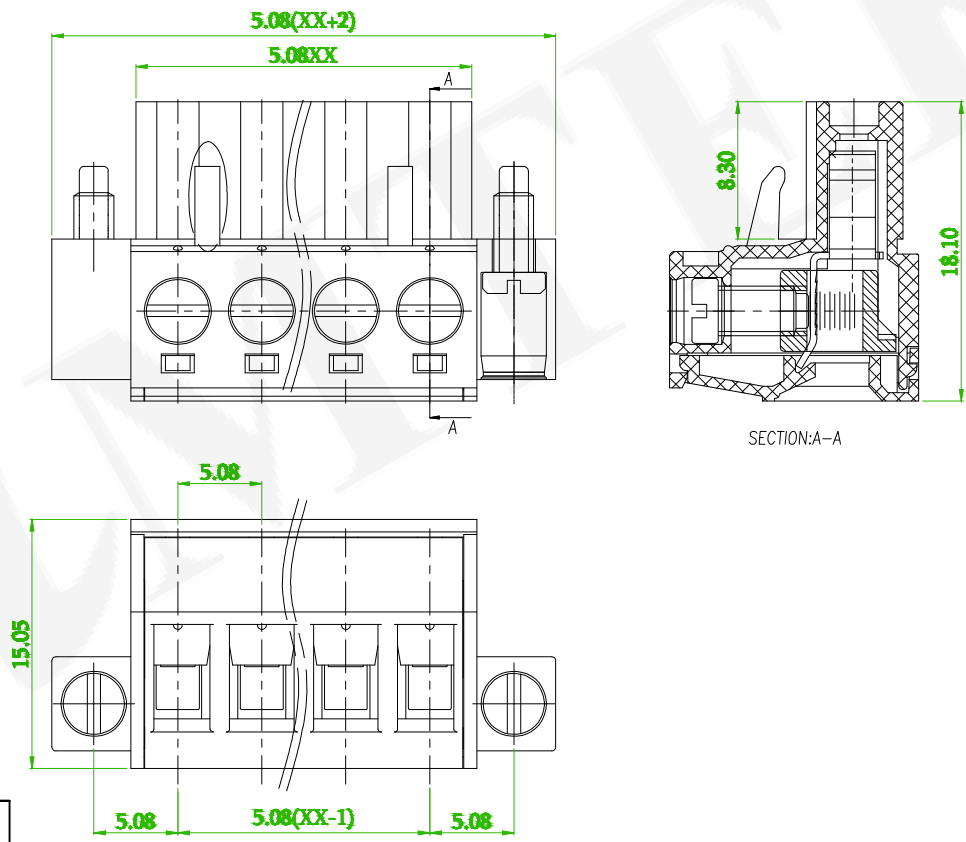


MECHANICAL

Temp. Range -40℃ +105℃
 Torque 0.5Nm
 Step length 7-8mm

MATERIAL

Housing PA66 UL94V-0
 Screws M3.0 Steel Zn plated
 Clamp Copper alloy Ni plated
 Wire guard Copper alloy Ni plated



AMTEK 禮德
 2020.12.25
 Released DCC

B

linear dimension(Tolerances Standard GB/T 14486-2008)										
variable range	to 6	over 6 to 10	over 10 to 30	over 30 to 60	over 60 to 100	over 100 to 160	to 10	over 10 to 100	over 100 to 1000	
tolerance	±0.20	±0.30	±0.50	±0.70	±1.00	±1.30	±1.60	0.10	0.30	0.60

Bx1

REV.	ECN NO. OR DESCRIPTION	REVISED	DATE
	ECN NO.:200718 Revise the Tolerance	Alice	2020/12/24

禮德精密有限公司
 Amtek Technology Co., Ltd.
 TEL: 886-2-2260-0178
 FAX: 886-2-2260-0130

品名 TITLE	5.08mm Terminal Block				頁數 Page	1/1
品號 PART NO.	5TP508N-2EKEXXELB-01			繪圖 DRAWN	Eric 2018/12/06	
圖號 DRAWING NO.	GN011-EA205		版本 REV.	B	核對 CHECKED	Josh 2018/12/06
客戶品號 CUSTOMER P/N			比例 SCALE	None	承認 APPROVED	Jason 2018/12/06
公差 TOLERANCE			單位 UNIT	mm	THIRD ANGLE PROJECTION	