

ELECTRICAL

Standard: UL IEC
 Rated Voltage: 300V 450V
 Rated Current: 10A 20A
 Contact Resistance: 20mΩ
 Withstanding Voltage: AC 2000V for one min
 Insulation Resistance: 500MΩ
 Wire range: 26-12AWG 2.5mm²

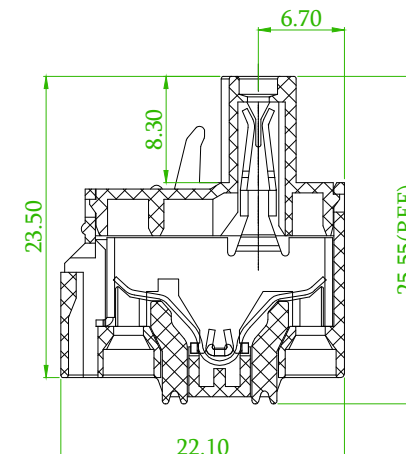
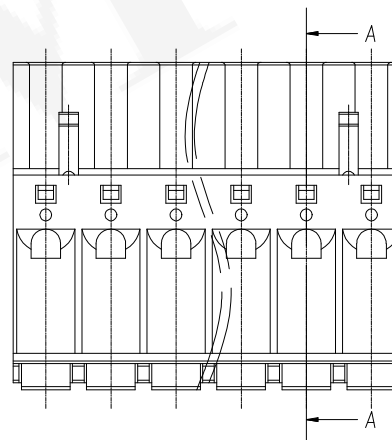
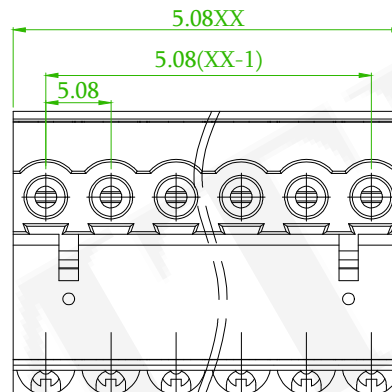
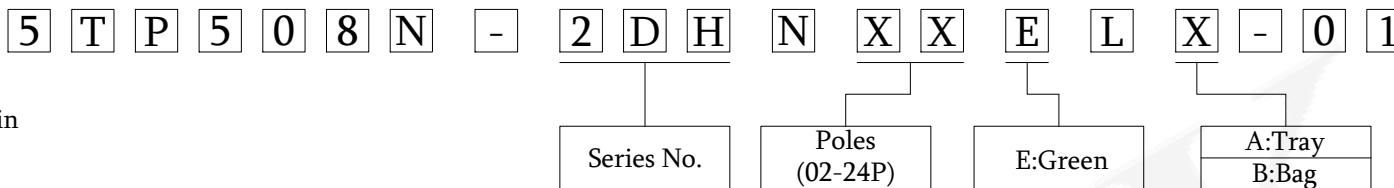
MECHANICAL

Temp. Range: -40°C ~ +105°C
 Steip length: 7-8mm


MATERIAL

Housing: PA66, UL94V-0
 Clamp: Copper alloy, Sn plated
 Wire guard: Stainless steel

ORDER INFORMATION



linear dimension (Tolerances Standard GB/T 14486-2008)								—	▱	⊥	
variable range	to 6	over 6 to 10	over 10 to 30	over 30 to 60	over 60 to 100	over 100 to 160	over 160 to	to 10	over 10 to 100	over 100 to	
tolerance	±0.20	±0.30	±0.50	±0.70	±1.00	±1.30	±1.60	0.10	0.30	0.60	
REV.	ECN NO:200718 Revise the Tolerance							Alice	2020/09/18		
	ECN NO. OR DESCRIPTION							REVISED	DATE		

 禮德精密有限公司 Amtek Technology Co., Ltd. TEL: 886-2-2260-6878 FAX: 886-2-2260-8030	品名 TITLE	5.08mm Terminal Block			頁數 Page	1/1
	品號 PART NO.	5TP508N-2DHNXXELX-01			繪圖 DRAWN	Eric 2018/12/04
	圖號 DRAWING NO.	GN011-EA171	版本 REV.	B	核對 CHECKED	Josh 2018/12/04
	客戶品號 CUSTOMER P/N		比例 SCALE	None	承認 APPROVED	Jason 2018/12/04
	公差 TOLERANCE		單位 UNIT	mm	THIRD ANGLE PROJECTION	