

ELECTRICAL

Standard: UL IEC
 Rated Voltage: 300V 450V
 Rated Current: 15A 17.5A
 Contact Resistance: 20mΩ
 Withstanding Voltage: AC 2000V for one min
 Insulation Resistance: 500MΩ

MECHANICAL

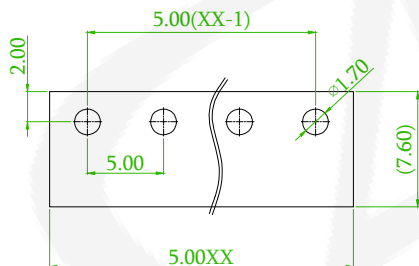
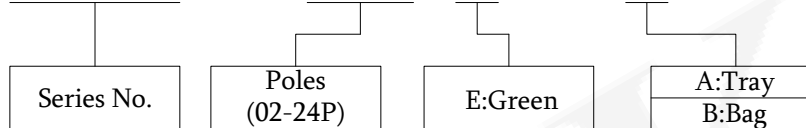
Temp. Range: -40°C ~ +105°C

MATERIAL

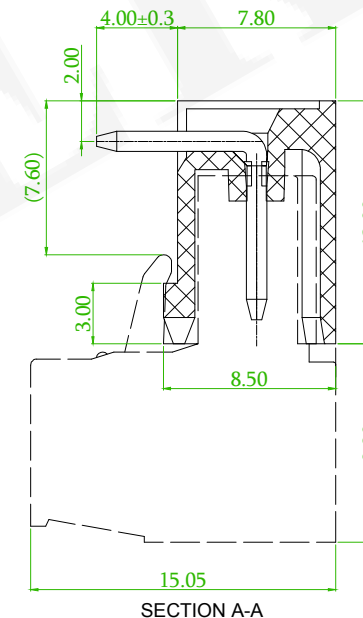
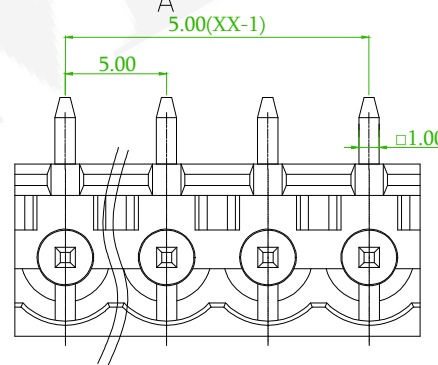
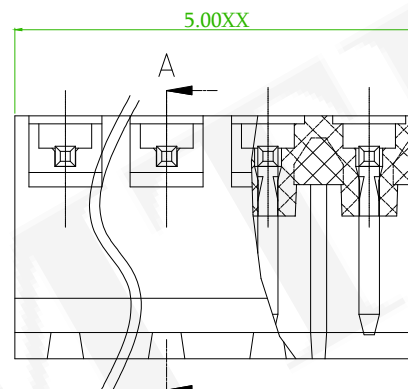
Housing: PA66, UL94V-0
 Pin header: Brass, Tin plated

ORDER INFORMATION

5 T P 5 0 0 R - 2 E R N X X E L X - 0 1



Recommended PCB Layout



linear dimension (Tolerances Standard GB/T 14486-2008)



variable range	to 6	over 6 to 10	over 10 to 30	over 30 to 60	over 60 to 100	over 100 to 160	to 10	over 10 to 100	to 100	
	6	10	30	60	100	160	10	100	100	
tolerance	±0.20	±0.30	±0.50	±0.70	±1.00	±1.30	±1.60	0.10	0.30	0.60



ECN NO:200718 Revise the Tolerance

Alice 2020/09/16

REV.	ECN NO. OR DESCRIPTION	REVISED	DATE
------	------------------------	---------	------

TEL: 886-2-2260-6878
 FAX: 886-2-2260-8030

品名 TITLE	5.0mm Terminal Block				頁數 Page	1/1
品號 PART NO.	5TP500R-2ERNXXELX-01			繪圖 DRAWN	Eric 2018/12/05	
圖號 DRAWING NO.	GN011-EA182	版本 REV.	B	核對 CHECKED	Josh 2018/12/05	
客戶品號 CUSTOMER P/N		比例 SCALE	None	承認 APPROVED	Jason 2018/12/05	
公差 TOLERANCE		單位 UNIT	mm	THIRD ANGLE PROJECTION		