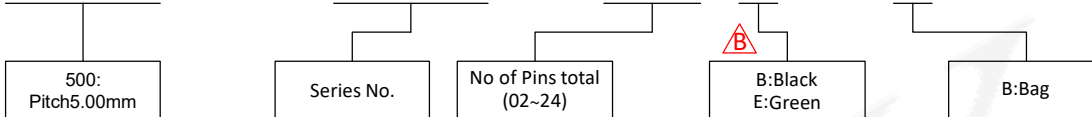


# ORDER INFORMATION

## Electrical

Standard: UL IEC  
 Rated Voltage: 300V 450V  
 Rated Current: 15A 17.5A  
 Contact Resistance: 20mΩ  
 Insulation Resistance: 500MΩ / DC 500V  
 Withstanding Voltage: AC 2000V for one minute

5 T P 5 0 0 R - 2 E G N X X X L B - 0 1



## Mechanical

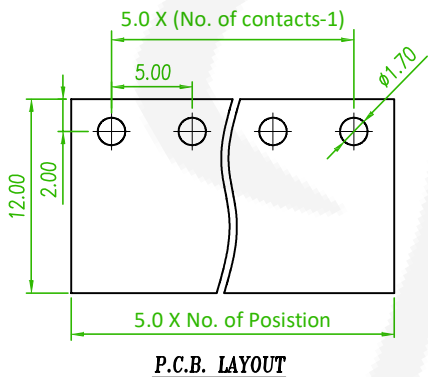
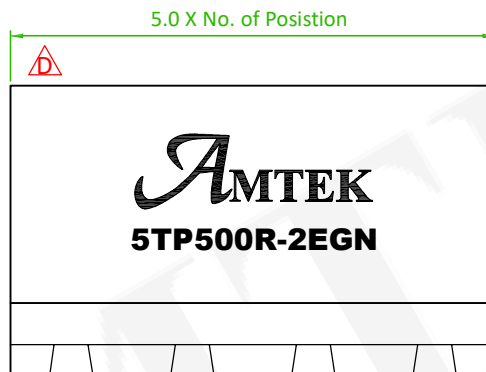
Temp. Range: -40°C~+105°C  
 Max Soldering: +250°C, for 5 Sec

## Dimensions

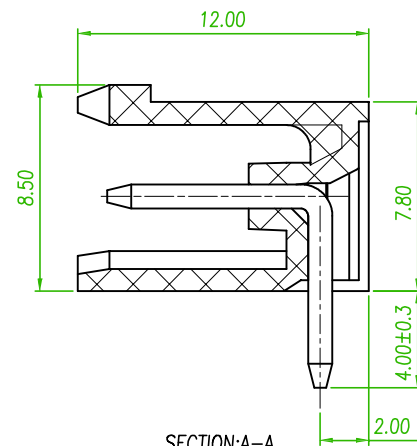
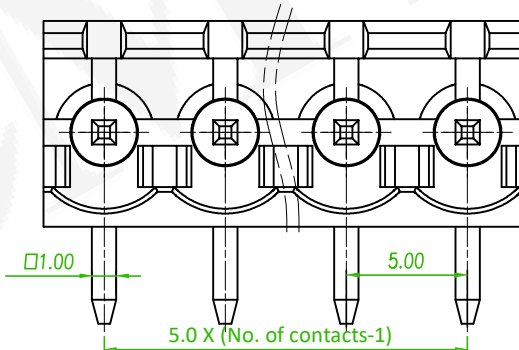
Pitch: 5.0mm  
 Poles: 2-24P

## Material

Housing: Nylon66, UL94V-0  
 Pin header: Brass, Tin plated



**P.C.B. LAYOUT**



SECTION:A-A

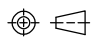


Old Part No. :TB2ER-5.0-xxP-14-00A-L

| linear dimension (Tolerances Standard GB/T 14486-2008) |  |              |               |               |                |                 |         | —              | ∕           | ⊥    |  |
|--|--|--------------|---------------|---------------|----------------|-----------------|---------|----------------|-------------|------|--|
| variable range   | to 6   | over 6 to 10 | over 10 to 30 | over 30 to 60 | over 60 to 100 | over 100 to 160 | to 10   | over 10 to 100 | over 100 to |      |  |
| tolerance  | ±0.20  | ±0.30        | ±0.50         | ±0.70         | ±1.00          | ±1.30           | ±1.60   | 0.10           | 0.30        | 0.60 |  |
| △x1  | ECN NO:210508 Add the LOGO                                     |              |               |               |                |                 | Benson  | 2021/05/18     |             |      |  |
| △x1  | ECN NO:200718 Revise the Tolerance                             |              |               |               |                |                 | Alice   | 2020/09/16     |             |      |  |
| △x1  | Revise the Part No.:5TP500R-2EGNXXELB-01->5TP500R-2EGNXXXLB-01 |              |               |               |                |                 | Mia     | 2017/01/19     |             |      |  |
| REV.   | ECN NO. OR DESCRIPTION   |              |               |               |                |                 | REVISED | DATE           |             |      |  |



**糧德精密有限公司**  
 Amtek Technology Co., Ltd.  
 TEL: 886-2-2260-6878  
 FAX: 886-2-2260-8030

| 品名<br>TITLE          | Terminal Block         |             |      |                           | 頁數<br>Page  | 1/1 |
|----------------------|------------------------|-------------|------|---------------------------|---|-----|
| 品號<br>PART NO.       | △ 5TP500R-2EGNXXXLB-01 |             |      | 繪圖<br>DRAWN               | Mia<br>2016/08/18   |     |
| 圖號<br>DRAWING NO.    | GN011-MC234            | 版本<br>REV.  | D    | 核對<br>CHECKED             | Boris<br>2016/08/18   |     |
| 客戶品號<br>CUSTOMER P/N |                        | 比例<br>SCALE | None | 承認<br>APPROVED            | Boris<br>2016/08/18   |     |
| 公差<br>TOLERANCE      |                        | 單位<br>UNIT  | mm   | THIRD ANGLE<br>PROJECTION |  |     |