

Electrical
 Standard: UL IEC
 Rated Voltage: 300V 450V
 Rated Current: 15A 17.5A
 Contact Resistance: 20mΩ
 Insulation Resistance: 500MΩ / DC 500V
 Withstanding Voltage: AC 2000V for one minute

ORDER INFORMATION

5 T P 5 0 0 R - 2 E C N X X X L B - 0 1

500:
Pitch 5.0mm

Series No.

No of Pins total
(02~24)

G:Gray	O:Orange
U:Blue	R:Red
B:Black	T:Transparent
E:Green	N:Brown
	W:White

B:Bag

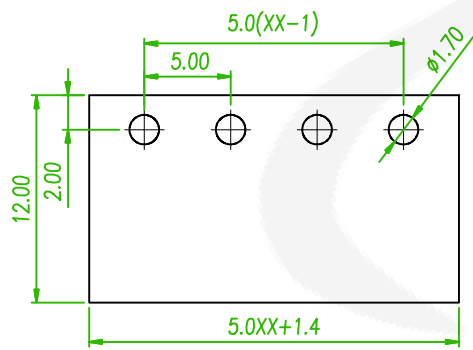
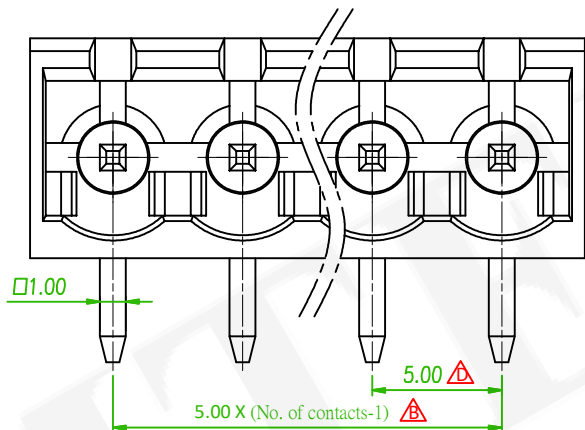
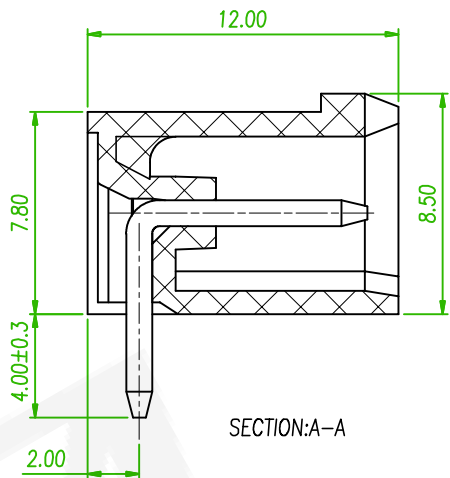


Mechanical
 Temp. Range: -40°C~+105°C
 Max Soldering: +250°C for 5 Sec

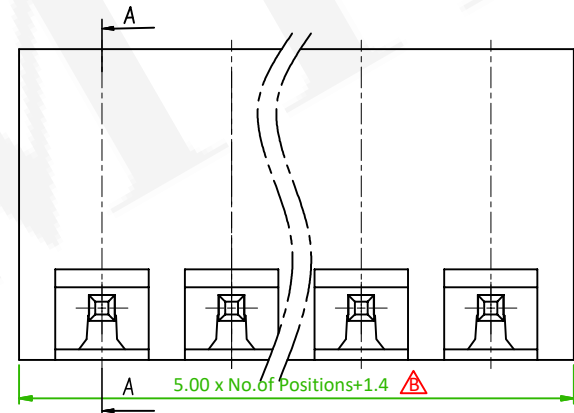


Dimensions
 Pitch: 5.0mm
 Poles: 2-24P

Material
 Housing: Nylon66, UL94V-0
 Pin header: Brass, Tin plated



P.C.B. LAYOUT



Old Part No. : TB2ERC-5.0-XXP-1X-00A-L

linear dimension (Tolerances Standard GB/T 14486-2008)										
variable range	to 6	over 6 to 10	over 10 to 30	over 30 to 60	over 60 to 100	over 100 to 160	over 160 to 10	over 10 to 100	over 100 to 100	
tolerance	±0.20	±0.30	±0.50	±0.70	±1.00	±1.30	±1.60	0.10	0.30	0.60

△x1	Add the Amtek LOGO	Benson	2023/04/07
△x1	ECN 221244.: Revise the Drawing	Rex	2023/01/31
△x1	ECN 200718.: Revise the Dimension	David	2020/08/28
REV.	ECN NO. OR DESCRIPTION	REVISED	DATE

TEL: 886-2-2260-6878
 FAX: 886-2-2260-8030

品名 TITLE	Terminal Block				頁數 Page	1/1
品號 PART NO.	5TP500R-2ECNXXXLB-01			繪圖 DRAWN	Mia 2016/08/09	
圖號 DRAWING NO.	GN011-DW284	版本 REV.	E	核對 CHECKED	Boris 2016/08/09	
客戶品號 CUSTOMER P/N		比例 SCALE	None	承認 APPROVED	Boris 2016/08/09	
公差 TOLERANCE		單位 UNIT	mm	THIRD ANGLE PROJECTION		