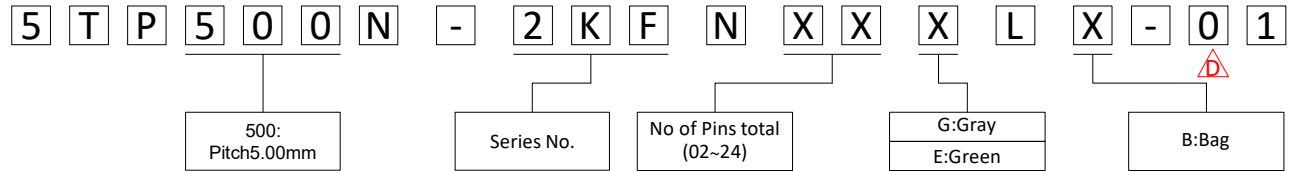


ELECTRICAL

Standard: UL IEC
 Rated Voltage: 300V 320V
 Rated Current: 15A 17.5A
 Contact Resistance: 20mΩ
 Insulation Resistance: 500MΩ/DC500V
 Withstanding Voltage: AC 2000V for one minute
 Wire range:22~12AWG 2.5mm²

ORDER INFORMATION



MECHANICAL

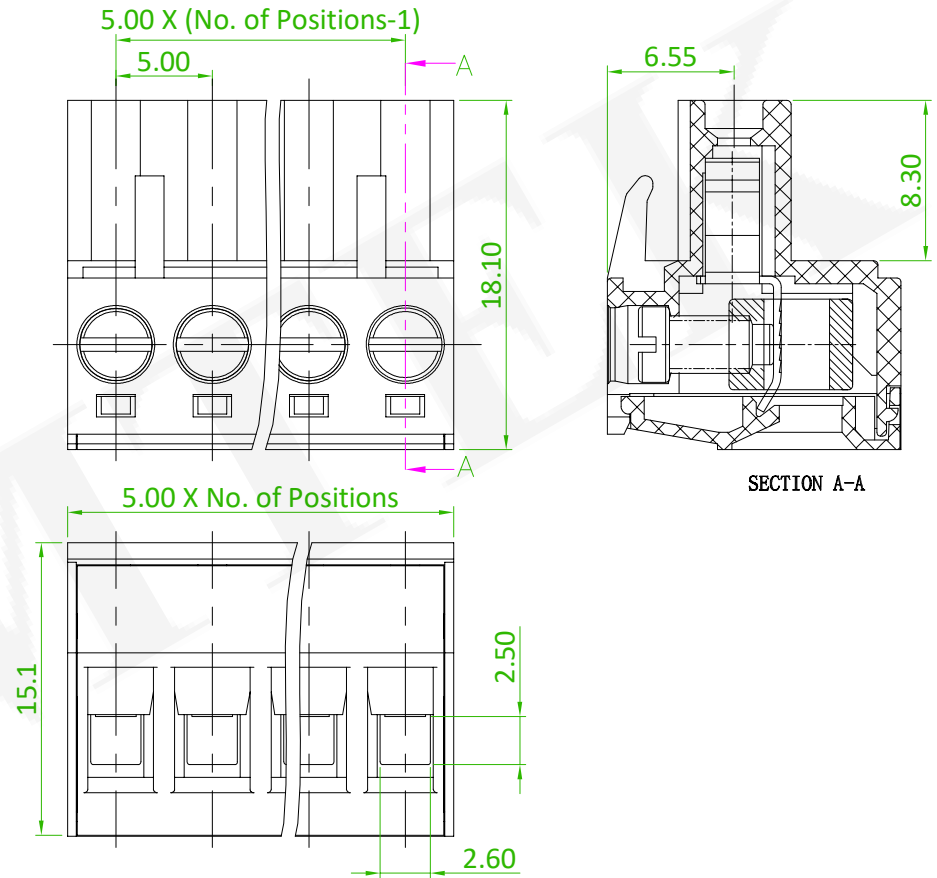
Torque:0.5Nm(4.5Lb.in)
 Temp.Range:-40°C~+105°C
 Strip Length:7-8mm

DIMENSIONS

Pitch: 5.0mm
 Poles:2-24P

MATERIAL

Housing: PA66, UL94V-0
 Screws:M3.0 Steel Zn plated
 Clamp:Phosphor bronze,Ni plated
 Wire Guard:Brass,Tin plated



Old Part No. :TB2EKF-5.0-XXP-1X-00A-L



linear dimension(Tolerances Standard GB/T 14486-2008)



variable range	to 6	over 6 to 10	over 10 to 30	over 30 to 60	over 60 to 100	over 100 to 160	to 10	over 10 to 100	to 100	
tolerance	±0.20	±0.30	±0.50	±0.70	±1.00	±1.30	±1.60	0.10	0.30	0.60

△	ECN NO.: 230714 Revise the PART NO	Benson	2023/08/29
△x2	ECN NO:201215 Revise the PART NO.	Alice	2020/12/30
△x1	ECN NO:200718 Revise the Tolerance	Alice	2020/09/15
REV.	ECN NO. OR DESCRIPTION	REVISED	DATE

糧德精密有限公司
 Amtek Technology Co., Ltd.
 TEL: 886-2-2260-6878
 FAX: 886-2-2260-8030

品名 TITLE	Terminal Block				頁數 Page	1/1
品號 PART NO.	△ 5TP500N-2KFNXXXLX-01 △		繪圖 DRAWN	Mia	2017/01/11	
圖號 DRAWING NO.	GN011-MC204	版本 REV.	D	核對 CHECKED	Jonny 2017/01/11	
客戶品號 CUSTOMER P/N		比例 SCALE	None	承認 APPROVED	Aaron 2017/01/11	
公差 TOLERANCE		單位 UNIT	mm	THIRD ANGLE PROJECTION		