

**ELECTRICAL**

Standard: UL IEC  
 Rated Voltage: 300V 450V  
 Rated Current: 15A 17.5A  
 Contact Resistance: 20mΩ  
 Insulation Resistance: 500MΩ / DC 500V  
 Withstanding Voltage: AC 2000V for one minute  
 Wire range: 28~14AWG 1.5mm<sup>2</sup>

**MECHANICAL**

Temp. Range: -40°C~+105°C  
 Torque(Max): 0.5Nm(4.5Lb.in)  
 Strip Length: 7-8mm

**DIMENSIONS**

Pitch: 5.0mm  
 Poles: 2-24P

**MATERIAL**

Housing: Nylon66, UL94V-0  
 Screws: M3 Steel Zn plated  
 Clamp: Phosphor bronze, Ni plated  
 Cage: Brass, Ni plated

**ORDER INFORMATION**

5 T P 5 0 0 N - 2 E K N X X X L B - 0 1



500:  
Pitch 5.00mm

Series No.

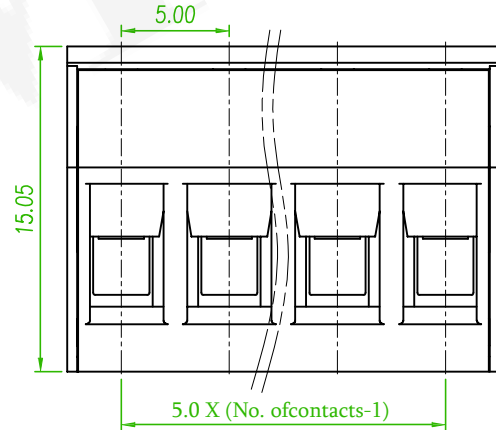
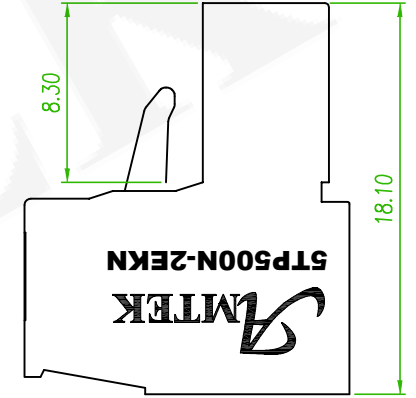
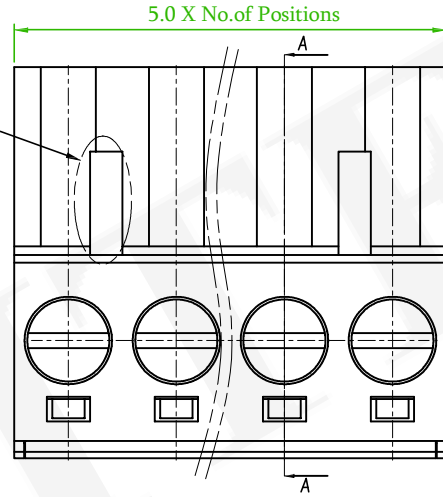
No of Pins total  
(02~24)

B:Black  
E:Green

B:Bag

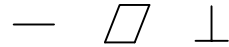


Only 2P with Latch



Old Part No. :TB2EK-5.0-XXP-1X-00A-L

linear dimension(Tolerances Standard GB/T 14486-2008)



variable range	to 6	over 6 to 10	over 10 to 30	over 30 to 60	over 60 to 100	over 100 to 160	to 10	over 10 to 100	over 100 to 160	
tolerance	±0.20	±0.30	±0.50	±0.70	±1.00	±1.30	±1.60	0.10	0.30	0.60

△x1	ECN NO:210508 Add the LOGO	Benson	2021/05/18
△x1	ECN NO:200718 Revise the Tolerance	Alice	2020/09/15
△x1	Revise the Part No:5TP500N-2EKNXXELB-01->5TP500N-2EKNXXXLB-01	B	2017/01/19 Mia
REV.	ECN NO. OR DESCRIPTION	REVISED	DATE

糧德精密有限公司  
Amtek Technology Co., Ltd.  
TEL: 886-2-2260-6878  
FAX: 886-2-2260-8030

品名 TITLE	Terminal Block				頁數 Page	1/1
品號 PART NO.	△ 5TP500N-2EKNXXXLB-01			繪圖 DRAWN	Mia 2016/08/18	
圖號 DRAWING NO.	GN011-MC236	版本 REV.	D	核對 CHECKED	Boris 2016/08/18	
客戶品號 CUSTOMER P/N		比例 SCALE	None	承認 APPROVED	Boris 2016/08/18	
公差 TOLERANCE		單位 UNIT	mm	THIRD ANGLE PROJECTION		