

**ELECTRICAL**

Standard: UL IEC  
 Rated Voltage: 300V 250V  
 Rated Current: 8A 7A  
 Contact Resistance: 20mΩ  
 Withstanding Voltage: AC 2000V for one min  
 Insulation Resistance: 500MΩ

**MECHANICAL**

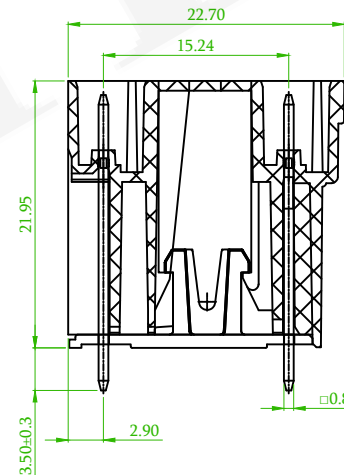
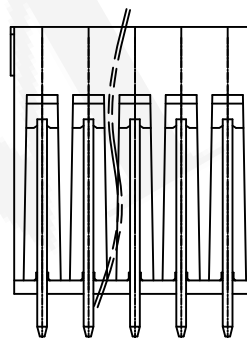
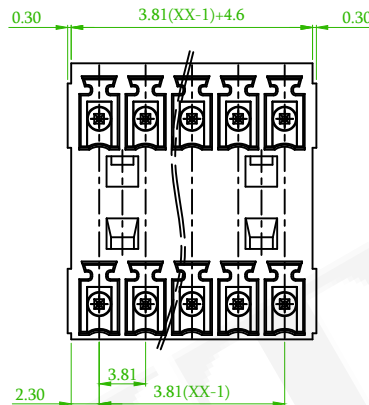
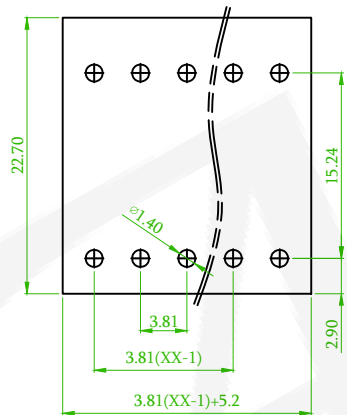
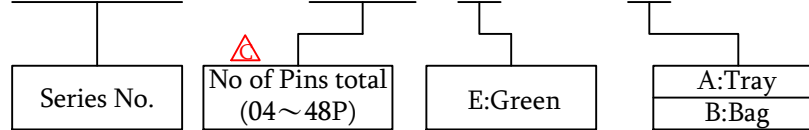
Temp. Range: -40°C ~ +105°C

**MATERIAL**

Housing: PA66, UL94V-0  
 Pin header: Copper alloy, Sn plated

**ORDER INFORMATION**

5 T P 3 8 1 S - 5 E H N X X E L X - 0 1



linear dimension (Tolerances Standard GB/T 14486-2008)



|                |       |              |               |               |                |                 |       |                |        |      |
|----------------|-------|--------------|---------------|---------------|----------------|-----------------|-------|----------------|--------|------|
| variable range | to 6  | over 6 to 10 | over 10 to 30 | over 30 to 60 | over 60 to 100 | over 100 to 160 | to 10 | over 10 to 100 | to 100 |      |
| tolerance      | ±0.20 | ±0.30        | ±0.50         | ±0.70         | ±1.00          | ±1.30           | ±1.60 | 0.10           | 0.30   | 0.60 |

|      |                                    |         |            |
|------|------------------------------------|---------|------------|
| REV. | ECN NO. OR DESCRIPTION             | REVISED | DATE       |
| △x1  | ECN NO:220814 Revise the PART NO.  | Tim     | 2022/09/16 |
| △x1  | ECN NO:200718 Revise the Tolerance | Alice   | 2020/09/10 |

**糧德精密有限公司**  
 Amtek Technology Co., Ltd.  
 TEL: 886-2-2260-6878  
 FAX: 886-2-2260-8030

|                      |                       |             |      |                        |                     |     |
|----------------------|-----------------------|-------------|------|------------------------|---------------------|-----|
| 品名<br>TITLE          | 3.81mm Terminal Block |             |      |                        | 頁數<br>Page          | 1/1 |
| 品號<br>PART NO.       | 5TP381S-5EHNXXELX-01  |             |      | 繪圖<br>DRAWN            | Eric<br>2018/12/17  |     |
| 圖號<br>DRAWING NO.    | GN011-EA302           | 版本<br>REV.  | C    | 核對<br>CHECKED          | Josh<br>2018/12/17  |     |
| 客戶品號<br>CUSTOMER P/N |                       | 比例<br>SCALE | None | 承認<br>APPROVED         | Jason<br>2018/12/17 |     |
| 公差<br>TOLERANCE      |                       | 單位<br>UNIT  | mm   | THIRD ANGLE PROJECTION |                     |     |