

ELECTRICAL

Standard: UL IEC
 Rated Voltage: 300V 250V
 Rated Current: 8A 7A
 Contact Resistance: 20mΩ
 Withstanding Voltage: AC 2000V for one min
 Insulation Resistance: 500MΩ

MECHANICAL

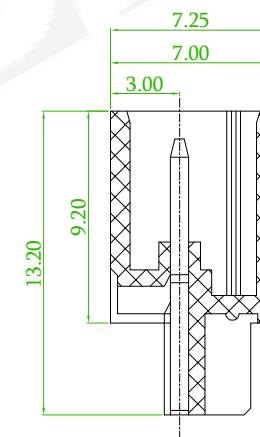
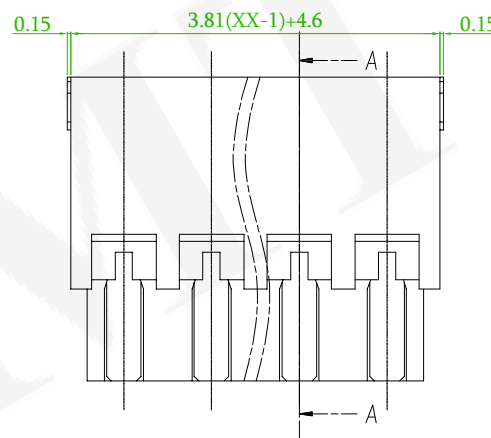
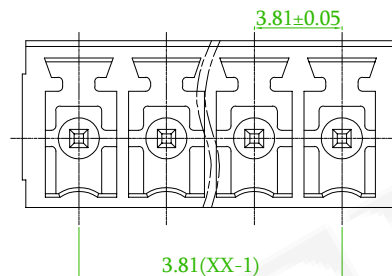
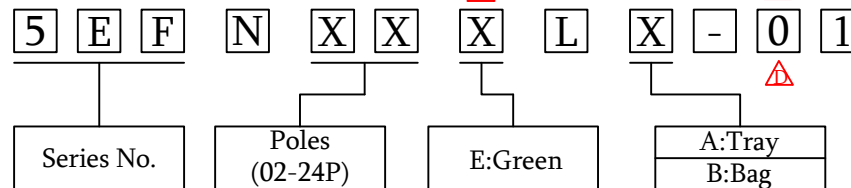
Temp. Range: -40°C ~ +105°C

MATERIAL

Housing: PA66, UL94V-0
 Pin header: Copper alloy, Sn plated

ORDER INFORMATION

5 T P 3 8 1 S -



linear dimension (Tolerances Standard GB/T 14486-2008)

		over 6	over 10	over 30	over 60	over 100	over 160		over 10	over 100
variable range	to 6	to 10	to 30	to 60	to 100	to 160	to 10	to 100	to 100	to 100
tolerance	±0.20	±0.30	±0.50	±0.70	±1.00	±1.30	±1.60	0.10	0.30	0.60

△	ECN NO:230714 Revise the PART NO.	Gaby	2023/09/21
△x2	ECN NO:201215 Revise the PART NO.	Alice	2020/12/30
△x1	ECN NO:200718 Revise the Tolerance	Alice	2020/09/10
REV.	ECN NO. OR DESCRIPTION	REVISED	DATE

TEL: 886-2-2260-6878
 FAX: 886-2-2260-8030

品名 TITLE	3.81mm Terminal Block				頁數 Page	1/1
品號 PART NO.	△ 5TP381S-5EFNXXXLX-01 △			繪圖 DRAWN	Eric 2018/11/27	
圖號 DRAWING NO.	GN011-EA136	版本 REV.	D	核對 CHECKED	Josh 2018/11/27	
客戶品號 CUSTOMER P/N		比例 SCALE	None	承認 APPROVED	Jason 2018/11/27	
公差 TOLERANCE		單位 UNIT	mm	THIRD ANGLE PROJECTION		