

ELECTRICAL

Standard: UL IEC
 Rated Voltage: 300V 250V
 Rated Current: 8A 7A
 Contact Resistance: 20mΩ
 Withstanding Voltage: AC 2000V for one min
 Insulation Resistance: 500MΩ

MECHANICAL

Temp. Range: -40°C ~ +105°C

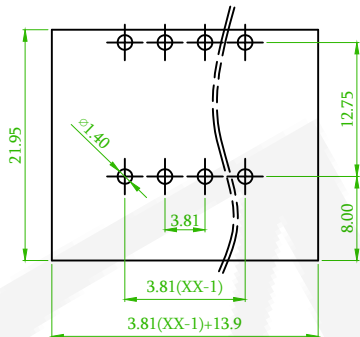
MATERIAL

Housing: PA66, UL94V-0
 Pin header: Copper alloy, Sn plated

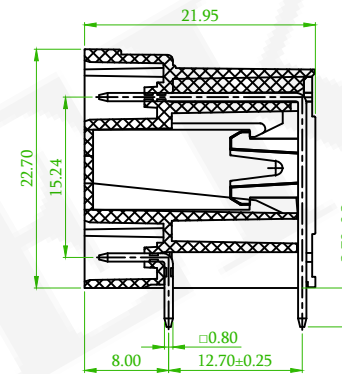
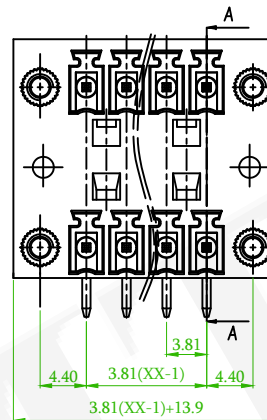
ORDER INFORMATION

5 T P 3 8 1 R - 5 E H E X X E L X - 0 1

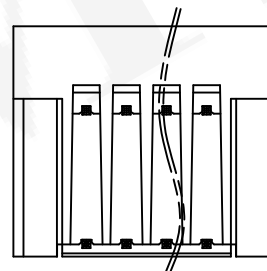
Series No.	No of Pins total (04 ~ 48P)	E:Green	A:Tray B:Bag
------------	--------------------------------	---------	-----------------



Recommended PCB Layout



SECTION A-A



linear dimension(Tolerances Standard GB/T 14486-2008)



variable range	to 6	over 6 to 10	over 10 to 30	over 30 to 60	over 60 to 100	over 100 to 160	tolerance	to 0.10	over 0.10 to 0.30	over 0.30 to 0.60
tolerance	±0.20	±0.30	±0.50	±0.70	±1.00	±1.30	±1.60	0.10	0.30	0.60



ECN NO:220814 Revise the PART NO.

Tim 2022/09/16



ECN NO:200718 Revise the Tolerance

Alice 2020/09/10

REV.	ECN NO. OR DESCRIPTION	REVISED	DATE
------	------------------------	---------	------



耀德精密有限公司
 Amtek Technology Co., Ltd.

TEL: 886-2-2260-6878
 FAX: 886-2-2260-8030

品名 TITLE	3.81mm Terminal Block			頁數 Page	1/1
品號 PART NO.	5TP381R-5EHXXELX-01			繪圖 DRAWN	Eric 2018/12/17
圖號 DRAWING NO.	GN011-EA307	版本 REV.	C	核對 CHECKED	Josh 2018/12/17
客戶品號 CUSTOMER P/N		比例 SCALE	None	承認 APPROVED	Jason 2018/12/17
公差 TOLERANCE		單位 UNIT	mm	THIRD ANGLE PROJECTION	