

ELECTRICAL

Standard: UL IEC
 Rated Voltage: 300V 250V
 Rated Current: 8A 7A
 Withstanding Voltage: AC 1600V for one minute

ORDER INFORMATION

5 T P 3 8 1 R - 5 E C N X X X L B - 0 1

381:
Pitch 3.81mm

Series No.

No of Pins total
(02~24)

G:Gray	O:Orange
U:Blue	R:Red
B:Black	T:Trans-parent
E:Green	N:Brown
	W:White

B:Bag



MECHANICAL

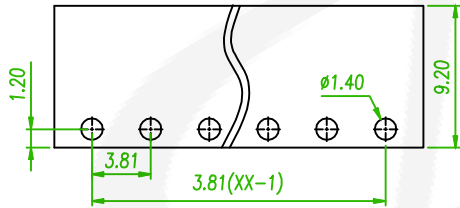
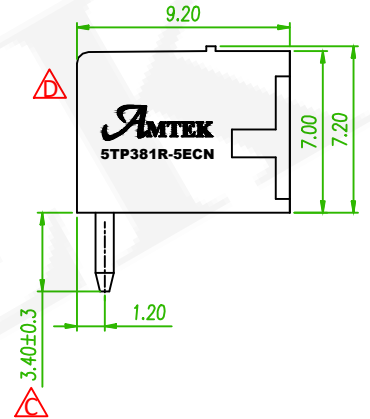
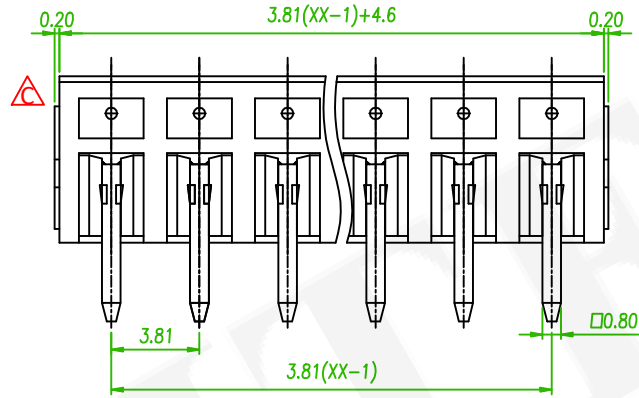
Temp. Range: -40°C ~ +105°C

MATERIAL

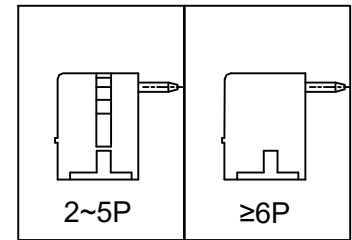
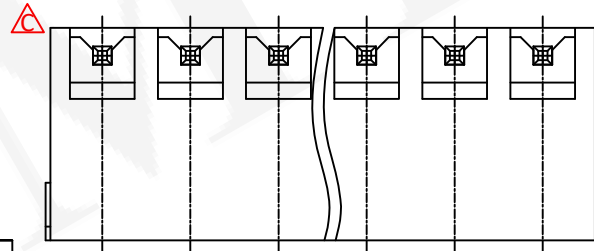
Housing: Nylon 66, UL94V-0
 Pin Header: Copper Alloy, Tin Plated

DIMENSIONS

Pitch: 3.81mm
 Poles: 2P-24P



P.C.B. LAYOUT



linear dimension(Tolerances Standard GB/T 14486-2008)



variable range	to 6	over 6 to 10	over 10 to 30	over 30 to 60	over 60 to 100	over 100 to 160	to 10	over 10 to 100	over 100 to	
tolerance	±0.20	±0.30	±0.50	±0.70	±1.00	±1.30	±1.60	0.10	0.30	0.60

Old Part No. :TB15ERC-3.81-XXP-1X-00A-L

			REV.	ECN NO. OR DESCRIPTION	REVISD	DATE
				Add the Logo	Alice	2023/05/25
				ECN NO:221119 Revise the drawing	Alice	2022/12/14
				ECN NO:200718 Revise the Tolerance	Alice	2020/09/10

糧德精密有限公司
 Amtek Technology Co., Ltd.
 TEL: 886-2-2260-6878
 FAX: 886-2-2260-8030

品名 TITLE	Terminal Block				頁數 Page	1/1
品號 PART NO.	5TP381R-5ECNXXXLB-01			繪圖 DRAWN	Mia 2016/10/18	
圖號 DRAWING NO.	GN011-AL342	版本 REV.	D	核對 CHECKED	Jonny 2016/10/18	
客戶品號 CUSTOMER P/N		比例 SCALE	None	承認 APPROVED	Aaron 2016/10/18	
公差 TOLERANCE		單位 UNIT	mm	THIRD ANGLE PROJECTION		