

ELECTRICAL

Standard: UL IEC
 Rated Voltage: 300V 250V
 Rated Current: 8A 7A
 Contact Resistance: 20mΩ
 Withstanding Voltage: AC 2000V for one min
 Insulation Resistance: 500MΩ
 Wire range: 28-16AWG 1.5 mm²

MECHANICAL

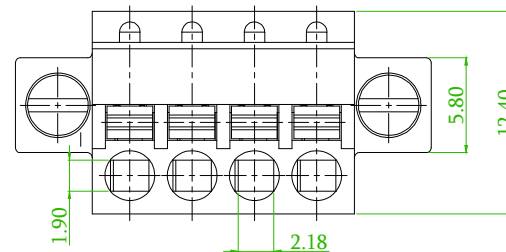
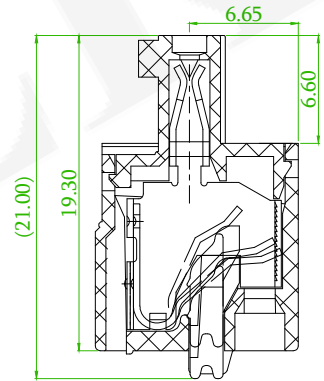
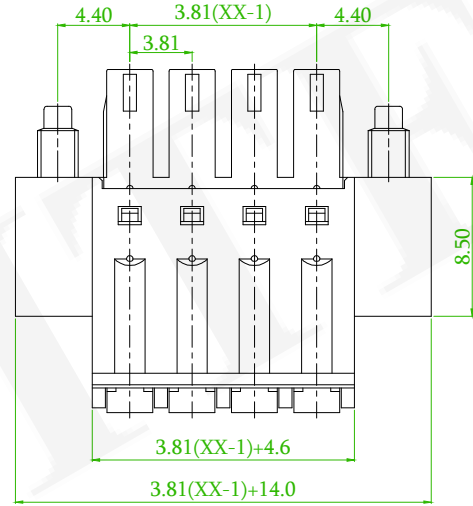
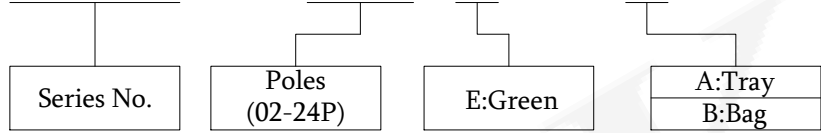
Temp. Range: -40°C ~ +105°C
 Torque: 0.4Nm
 Strip length: 7-8mm

MATERIAL

Housing: PA66, UL94V-0
 Wire guard: Stainless steel
 Clamp: Copper alloy, Sn plated
 Screw: M2.5 Steel, Zn plated

ORDER INFORMATION

5 T P 3 8 1 N - 5 K D E X X E L X - 0 1



△B

linear dimension(Tolerances Standard GB/T 14486-2008)								—	□	⊥
variable range	to 6	over 6 to 10	over 10 to 30	over 30 to 60	over 60 to 100	over 100 to 160	to 10	over 10 to 100	to 100	
tolerance	±0.20	±0.30	±0.50	±0.70	±1.00	±1.30	±1.60	0.10	0.30	0.60
△Bx1	ECN NO:200718 Revise the Dimension						Alice	2020/09/10		
REV.	ECN NO. OR DESCRIPTION						REVISED	DATE		

糧德精密有限公司
 Amtek Technology Co., Ltd.
 TEL: 886-2-2260-6878
 FAX: 886-2-2260-8030

品名 TITLE	3.81mm Terminal Block				頁數 Page	1/1
品號 PART NO.	5TP381N-5KDEXXELX-01			繪圖 DRAWN	Eric 2018/11/27	
圖號 DRAWING NO.	GN011-EA117		版本 REV.	B	核對 CHECKED	Josh 2018/11/27
客戶品號 CUSTOMER P/N			比例 SCALE	None	承認 APPROVED	Jason 2018/11/27
公差 TOLERANCE			單位 UNIT	mm	THIRD ANGLE PROJECTION	