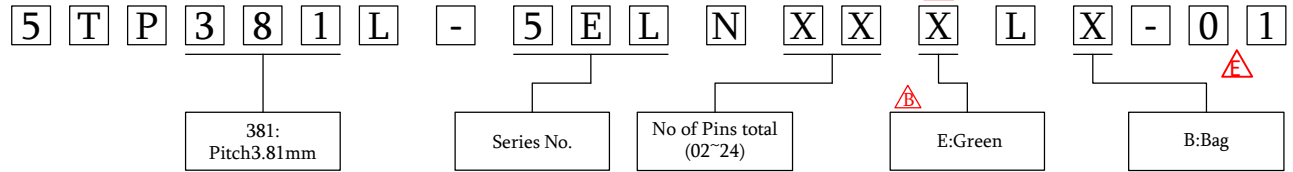


ELECTRICAL

Standard: UL IEC
 Rated Voltage: 300V 250V
 Rated Current: 8A 7A
 Contact Resistance: 20mΩ
 Insulation Resistance: 500MΩ/DC500V
 Withstanding Voltage: AC 2000V for one minute

ORDER INFORMATION



MECHANICAL

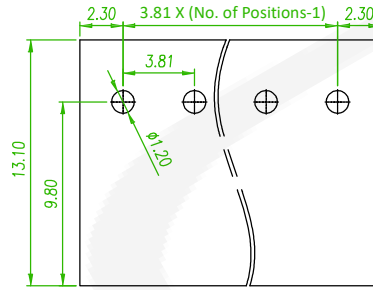
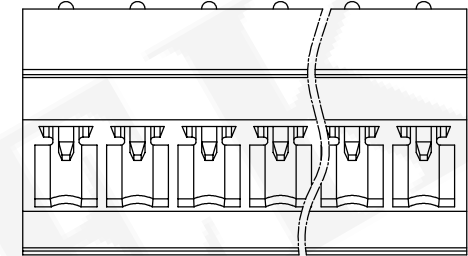
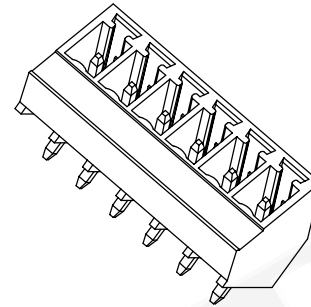
Temp.Range:-40°C~+105°C
 Max Soldering:+250°C for 5 Sec

DIMENSIONS

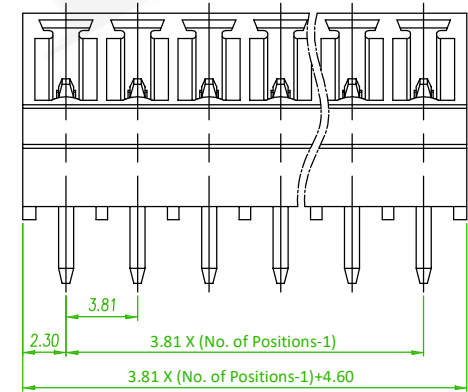
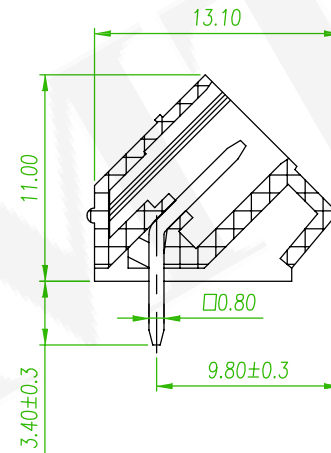
Pitch:3.81mm
 Poles:2-24P

MATERIAL

Housing: PA66, UL94V-0
 Pin header: Copper alloy, Sn plated



P.C.B. LAYOUT



linear dimension(Tolerances Standard GB/T 14486-2008)



variable range	to 6	over 6 to 10	over 10 to 30	over 30 to 60	over 60 to 100	over 100 to 160	to 10	over 10 to 100	to 100	
tolerance	±0.20	±0.30	±0.50	±0.70	±1.00	±1.30	±1.60	0.10	0.30	0.60

△	ECN NO:230714 Revise the PART NO.	Gaby	2023/09/21
△x2	ECN NO:201215 Revise the PART NO.	Alice	2020/12/30
△x1	ECN NO:200718 Revise the Dimension	Alice	2020/09/09
REV.	ECN NO. OR DESCRIPTION	REVISED	DATE

糧德精密有限公司
 Amtek Technology Co., Ltd.
 TEL: 886-2-2260-6878
 FAX: 886-2-2260-8030

品名 TITLE	Terminal Block				頁數 Page	1/1
品號 PART NO.	△△△ 5TP381L-5ELNXXLX-01 △△			繪圖 DRAWN	Mia 2017/01/09	
圖號 DRAWING NO.	GN011-MC199	版本 REV.	E	核對 CHECKED	Jonny 2017/01/09	
客戶品號 CUSTOMER P/N		比例 SCALE	None	承認 APPROVED	Aaron 2017/01/09	
公差 TOLERANCE		單位 UNIT	mm	THIRD ANGLE PROJECTION		