

ELECTRICAL

Standard: UL IEC
 Rated Voltage: 300V 250V
 Rated Current: 8A 10A
 Contact Resistance: 20mΩ
 Withstanding Voltage: AC 2000V for one min
 Insulation Resistance: 500MΩ

MECHANICAL

Temp. Range: -40°C ~ +130°C

MATERIAL

Housing: LCP , UL94V-0
 Pin header: Brass, Tin plated

ORDER INFORMATION

5 T P 3 5 0 S -

5 H T N X X

X U

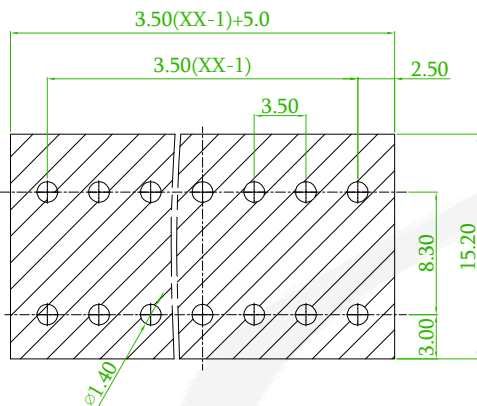
X - 0 1

Series No.

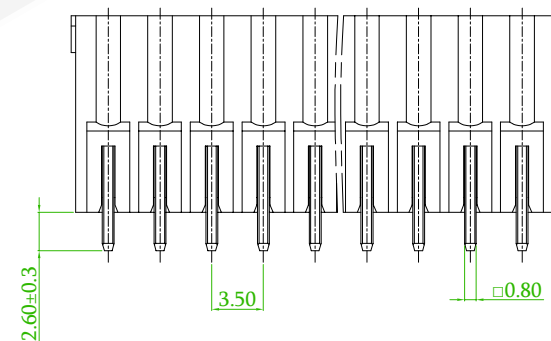
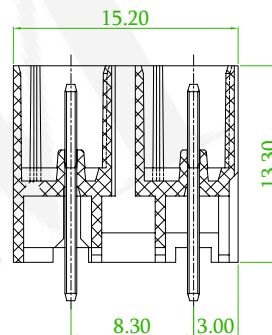
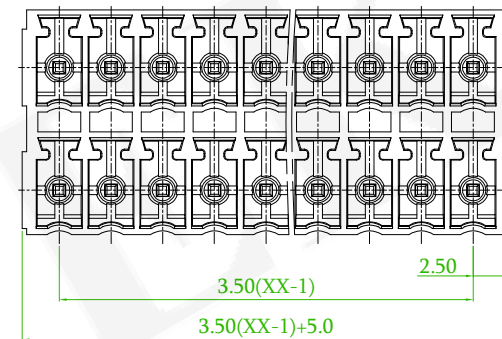
No of Pins total
(04 ~ 48P)

B:Black

A:Tray
B:Bag



Recommended PCB Layout
(PCB TOLERANCE ±0.05)



linear dimension (Tolerances Standard GB/T 14486-2008)



variable range	to 6	over 6 to 10	over 10 to 30	over 30 to 60	over 60 to 100	over 100 to 160	to 10	over 10 to 100	to 100	
tolerance	±0.20	±0.30	±0.50	±0.70	±1.00	±1.30	±1.60	0.10	0.30	0.60

△	ECN NO:230714 Revise the PART NO.	Randy	2023/09/23
△x1	ECN NO:220814 Revise the PART NO.	Tim	2022/09/16
△x2	ECN NO:201215 Revise the PART NO.	Alice	2020/12/30
REV.	ECN NO. OR DESCRIPTION	REVISED	DATE

糧德精密有限公司
 Amtek Technology Co., Ltd.
 TEL: 886-2-2260-6878
 FAX: 886-2-2260-8030

品名 TITLE	3.5mm Terminal Block				頁數 Page	1/1
品號 PART NO.	△ 5TP350S-5HTNXXXUX-01 △			繪圖 DRAWN	Eric 2018/11/27	
圖號 DRAWING NO.	GN011-EA107	版本 REV.	E	核對 CHECKED	Josh 2018/11/27	
客戶品號 CUSTOMER P/N		比例 SCALE	None	承認 APPROVED	Jason 2018/11/27	
公差 TOLERANCE		單位 UNIT	mm	THIRD ANGLE PROJECTION		