

ELECTRICAL

Standard: UL IEC
 Rated Voltage: 300V 150V
 Rated Current: 8A 10A
 Contact Resistance: 20mΩ
 Insulation Resistance: 500MΩ / DC 500V
 Withstanding Voltage: AC 2000V for one minute

MECHANICAL

Temp. Range: -40°C ~ +105°C
 Soldering Max: +250°C 5s

DIMENSIONS

Pitch: 3.5mm
 Poles: 2-24P

MATERIAL

Housing: PA66, UL94V-0
 Pin Header: Copper Alloy, Tin Plated
 Nut: Brass

ORDER INFORMATION

5 T P 3 5 0 S - 5 E V E X X X L B - 0 1

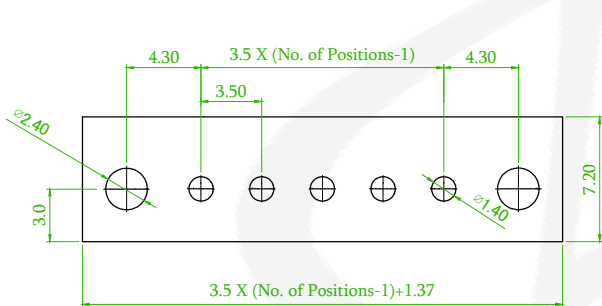
350:
Pitch 3.50mm

Series No.

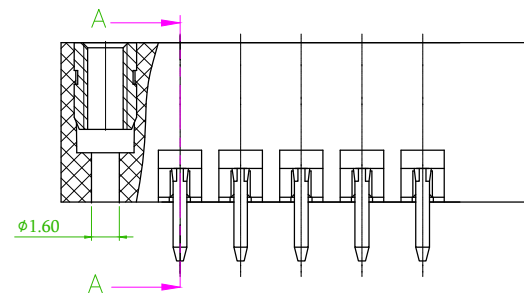
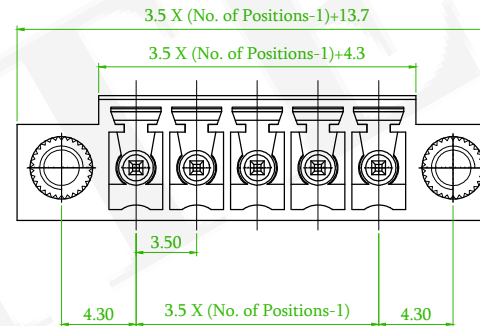
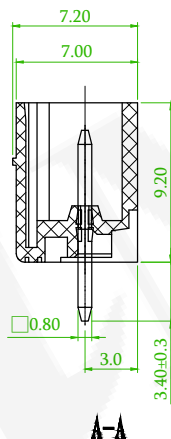
No of Pins
total

G:Gray	O:Orange
U:Blue	R:Red
B:Black	T:Transparent
E:Green	N:Brown
	W:White

B:Bag



P.C.B. LAYOUT



Old Part No. :TB15EVM-3.5-XXP-1X-00A-L

linear dimension(Tolerances Standard GB/T 14486-2008)								—	∕	⊥
variable range	to 6	over 6 to 10	over 10 to 30	over 30 to 60	over 60 to 100	over 100 to 160	to 10	over 10 to 100	over 100 to 160	
tolerance	±0.20	±0.30	±0.50	±0.70	±1.00	±1.30	±1.60	0.10	0.30	0.60
REV.	ECN NO. OR DESCRIPTION							REVISED	DATE	

△B

△Bx1

糧德精密有限公司
 Amtek Technology Co., Ltd.
 TEL: 886-2-2260-6878
 FAX: 886-2-2260-8030

品名 TITLE	Terminal Block				頁數 Page	1/1
品號 PART NO.	5TP350S-5EVEXXXLB-01			繪圖 DRAWN	Mia	
圖號 DRAWING NO.	GN011-MC258		版本 REV.	B	核對 CHECKED	Jonny
客戶品號 CUSTOMER P/N			比例 SCALE	None	承認 APPROVED	Aaron
公差 TOLERANCE			單位 UNIT	mm	THIRD ANGLE PROJECTION	