

**ELECTRICAL**

Standard: UL IEC  
 Rated Voltage: 300V 250V  
 Rated Current: 8A 10A

Contact Resistance: 20mΩ  
 Insulation Resistance: 500MΩ / DC 500V  
 Withstanding Voltage: AC 2000V for one minute

**MECHANICAL**

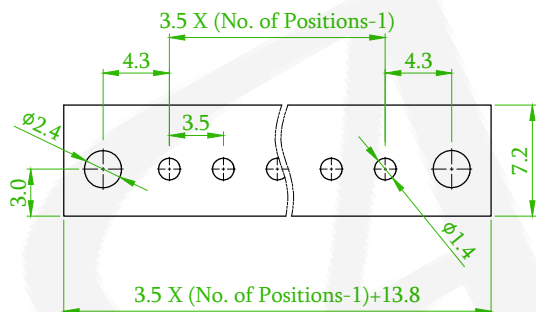
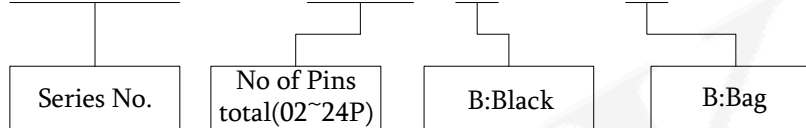
Temp. Range: -40°C ~ +105°C  
 Soldering Max: +285°C 10s

**MATERIAL**

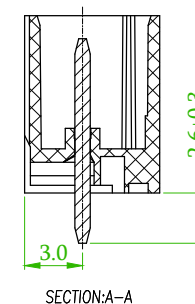
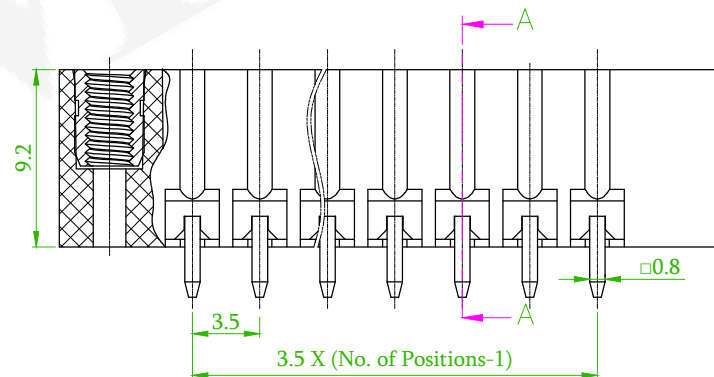
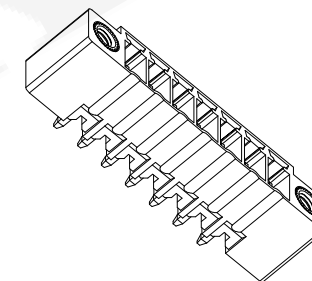
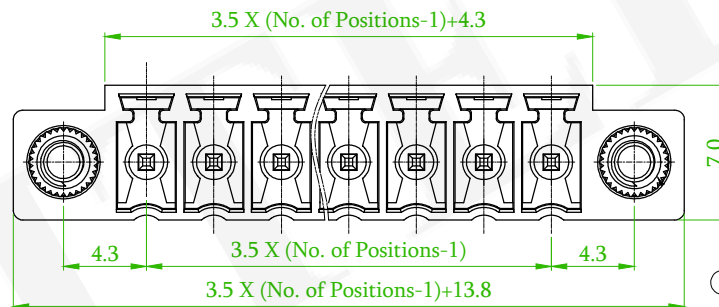
Housing: High Temperature , UL94V-0  
 Pin Header: Copper Alloy, Tin Plated

**ORDER INFORMATION**

5 T P 3 5 0 S - 5 E V E X X B U B - 0 1



P.C.B. LAYOUT



linear dimension(Tolerances Standard GB/T 14486-2008)								—	□	⊥	
variable range	to 6	over 6 to 10	over 10 to 30	over 30 to 60	over 60 to 100	over 100 to 160	to 10	over 10 to 100	over 100 to 160		
tolerance	±0.20	±0.30	±0.50	±0.70	±1.00	±1.30	±1.60	0.10	0.30	0.60	
REV.	ECN NO.:200718 Revise the Dimension							Alice	2020/09/09		
	ECN NO. OR DESCRIPTION							REVISED	DATE		

<p>糧德精密有限公司                  Amtek Technology Co., Ltd.                  TEL: 886-2-2260-6878                  FAX: 886-2-2260-8030</p>	品名 TITLE	3.5mm Terminal Block			頁數 Page	1/1
	品號 PART NO.	5TP350S-5EVEXXBUB-01			繪圖 DRAWN	Mia 2018/04/12
	圖號 DRAWING NO.	GN011-MD075	版本 REV.	B	核對 CHECKED	Josh 2018/04/12
	客戶品號 CUSTOMER P/N		比例 SCALE	None	承認 APPROVED	Jason 2018/04/12
	公差 TOLERANCE		單位 UNIT	mm	THIRD ANGLE PROJECTION	