

ELECTRICAL

Standard: UL IEC
 Rated Voltage: 300V 130V
 Rated Current: 8A 10A
 Contact Resistance: 20MΩ
 Withstanding Voltage: AC 2000V for one min
 Insulation Resistance: 5000MΩ

ORDER INFORMATION

5 T P 3 5 0 S - 5 E C N X X X L B - 0 1

350:
Pitch 3.50mm

Series No.

No of Pins
total(02-24P)

E:Green
B:Black

B:Bag



MECHANICAL

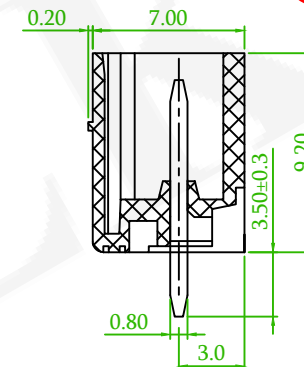
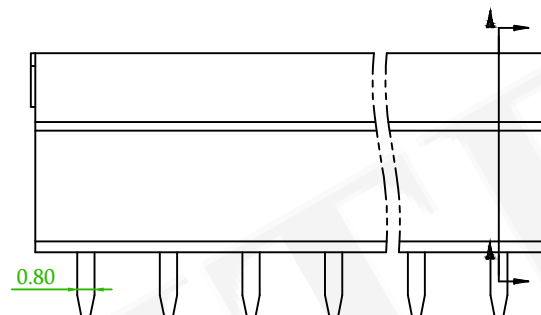
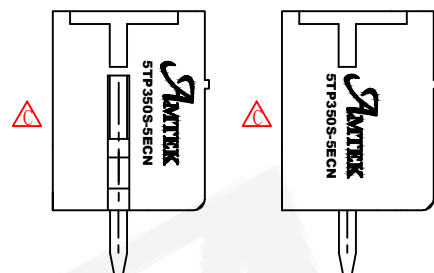
Temp. Range: -40°C ~ +105°C

MATERIAL

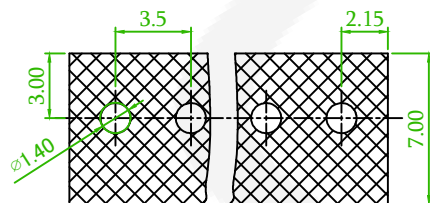
Housing: Nylon 66, UL94V-0
 Pin Header: Brass, Tin Plated

DIMENSIONS

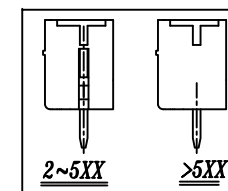
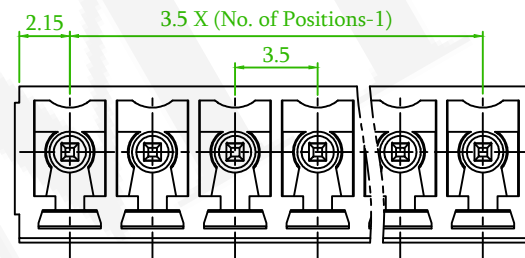
Pitch: 3.5mm
 Poles: 2P-24P



SECTION A-A



PCB LAYOUT



Old Part No. :TB15EVC-3.5-XXP-1X-00A-L

| linear dimension(Tolerances Standard GB/T 14486-2008) | | | | | | | | — | ∕ | ⊥ |
|---|-------|--------------|---------------|---------------|----------------|-----------------|----------------|----------------|-----------------|------|
| variable range | to 6 | over 6 to 10 | over 10 to 30 | over 30 to 60 | over 60 to 100 | over 100 to 160 | over 160 to 10 | over 10 to 100 | over 100 to 100 | |
| tolerance | ±0.20 | ±0.30 | ±0.50 | ±0.70 | ±1.00 | ±1.30 | ±1.60 | 0.10 | 0.30 | 0.60 |

| | | | |
|------|-----------------------------------|---------|------------|
| △x3 | Add the color Options | Alice | 2021/08/09 |
| △x2 | ECN NO:210508 Add the LOGO | Benson | 2021/05/18 |
| △x1 | ECN 200718.: Revise the Dimension | David | 2020/08/28 |
| REV. | ECN NO. OR DESCRIPTION | REVISED | DATE |

糧德精密有限公司
 Amtek Technology Co., Ltd.
 TEL: 886-2-2260-6878
 FAX: 886-2-2260-8030

| 品名 TITLE | Terminal Block | | | | 頁數 Page | 1/1 |
|----------------------|-----------------------|-------------|------|------------------------|---------------------|-------------------|
| 品號 PART NO. | △5TP350S-5ECNXXXLB-01 | | | | 繪圖 DRAWN | Mia 2017/02/13 |
| 圖號 DRAWING NO. | GN116-MC276 | 版本 REV. | D | 核對 CHECKED | Jonny 2017/02/13 | |
| 客戶品號 CUSTOMER P/N | | 比例 SCALE | None | 承認 APPROVED | Aaron 2017/02/13 | |
| 公差 TOLERANCE | | 單位 UNIT | mm | THIRD ANGLE PROJECTION | | |