

ELECTRICAL

Standard: UL IEC
 Rated Voltage: 300V 160V
 Rated Current: 8A 8A
 Withstanding Voltage: AC 1600V for one min

MECHANICAL

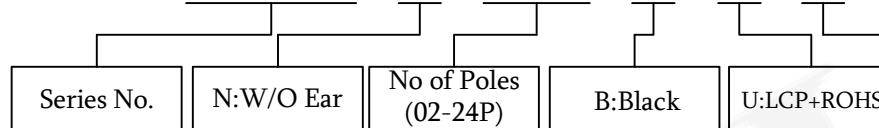
Temp. Range: -40°C ~ +130°C

MATERIAL

Housing: LCP, UL94V-0
 Pin Header: Copper alloy, Sn plated

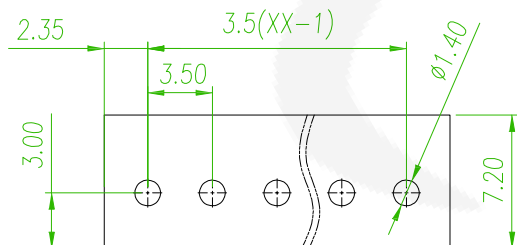
ORDER INFORMATION

5 T P 3 5 0 S - 5 E C N X X B U X - 0 1

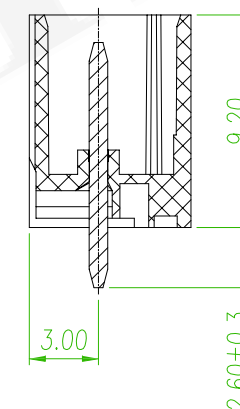
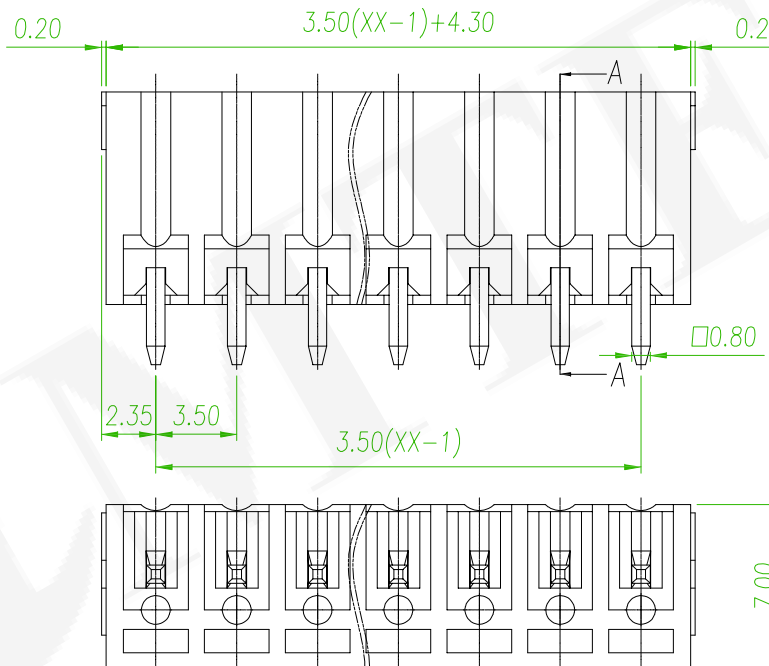


B:Bag
 A:Tray w/o cap
 R:T/R with cap

AMTEK 糧德
 2020.03.24
 Released DCC

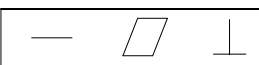


P.C.B. LAYOUT



SECTION:A-A

linear dimension(Tolerances Standard GB/T 14486-2008)



variable range	to 6	over 6 to 10	over 10 to 30	over 30 to 60	over 60 to 100	over 100 to 160	to 10	over 10 to 100	to 100	
tolerance	±0.20	±0.30	±0.50	±0.70	±1.00	±1.30	±1.60	0.10	0.30	0.60

TEL: 886-2-2260-6878
 FAX: 886-2-2260-8030

品名 TITLE	3.5mm TERMINAL BLOCK				頁數 Page	1/1
品號 PART NO.	5TP350S-5ECNXXBUX-01			繪圖 DRAWN	Benson 2020/03/23	
圖號 DRAWING NO.	GN011-BS949	版本 REV.	A	核對 CHECKED	Josh 2020/03/23	
客戶品號 CUSTOMER P/N		比例 SCALE	None	承認 APPROVED	Josh 2020/03/23	
公差 TOLERANCE		單位 UNIT	mm	THIRD ANGLE PROJECTION		

REV.	ECN NO. OR DESCRIPTION	REVISED	DATE
------	------------------------	---------	------