

ELECTRICAL

Standard: UL IEC
 Rated Voltage: 300V 160V
 Rated Current: 8A 7A
 Contact Resistance: 20mΩ
 Withstanding Voltage: AC 1600V for one min
 Insulation Resistance: 500MΩ

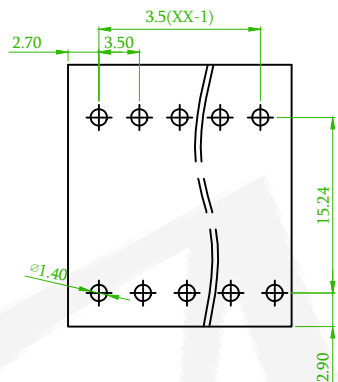
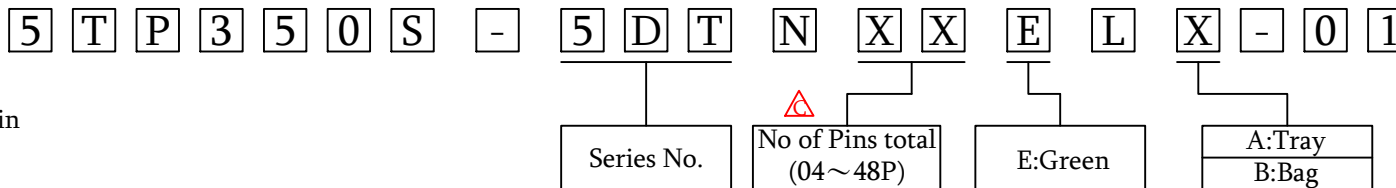
MECHANICAL

Temp. Range: -40°C ~ +105°C

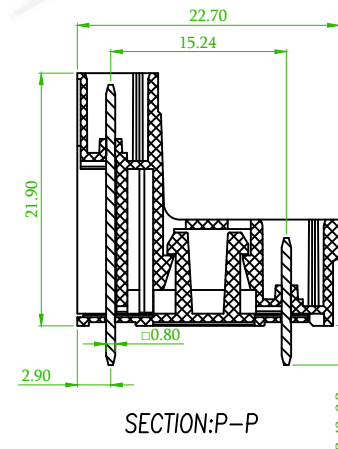
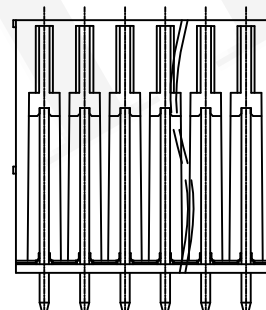
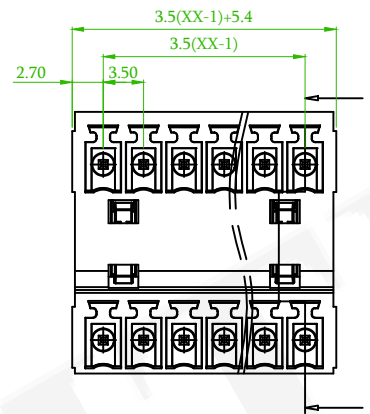
MATERIAL

Housing: PA66, UL94V-0
 Contactor: Copper alloy, Sn plated

ORDER INFORMATION



Recommended PCB Layout
 (PCB TOLERANCE ± 0.1)



linear dimension (Tolerances Standard GB/T 14486-2008)



variable range	to 6	over 6 to 10	over 10 to 30	over 30 to 60	over 60 to 100	over 100 to 160	to 10	over 10 to 100	to 100	
tolerance	± 0.20	± 0.30	± 0.50	± 0.70	± 1.00	± 1.30	± 1.60	0.10	0.30	0.60

$\triangle x 1$	ECN NO:220814 Revise the PART NO.	Tim	2022/09/16
$\triangle x 1$	ECN NO:200718 Revise the Dimension	Alice	2020/09/09
REV.	ECN NO. OR DESCRIPTION	REVISED	DATE

糧德精密有限公司
 Amtek Technology Co., Ltd.
 TEL: 886-2-2260-6878
 FAX: 886-2-2260-8030

品名 TITLE	3.5mm Terminal Block			頁數 Page	1/1
品號 PART NO.	5TP350S-5DTNXXELX-01		繪圖 DRAWN	Eric 2018/12/14	
圖號 DRAWING NO.	GN011-EA292	版本 REV.	C	核對 CHECKED	Josh 2018/12/14
客戶品號 CUSTOMER P/N		比例 SCALE	None	承認 APPROVED	Jason 2018/12/14
公差 TOLERANCE		單位 UNIT	mm	THIRD ANGLE PROJECTION	