

ELECTRICAL

Standard: UL IEC
 Rated Voltage: 300V 250V
 Rated Current: 8A 10A
 Contact Resistance: 20mΩ
 Insulation Resistance: 500MΩ/DC500V
 Withstanding Voltage: AC 2000V for one min

MECHANICAL

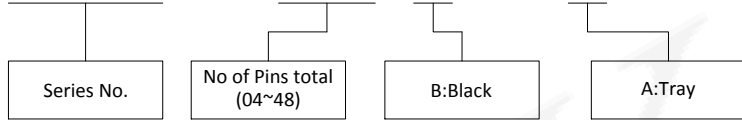
Temperature Range: -40°C ~ +130°C
 Max Soldering: +285°C, for 10 Sec

MATERIAL

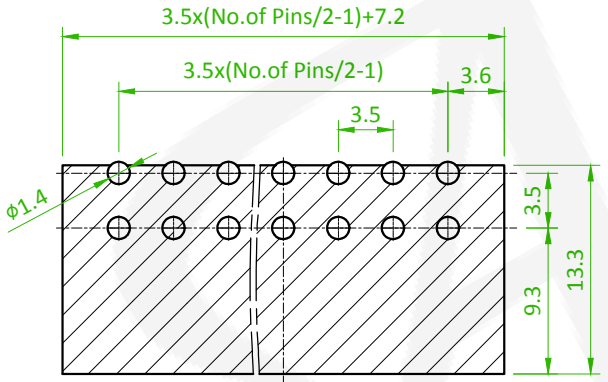
Housing: LCP, UL94V-0
 Pin Header: Copper Alloy, Sn Plated

ORDER INFORMATION

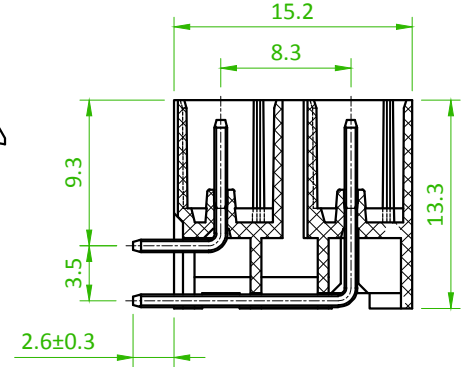
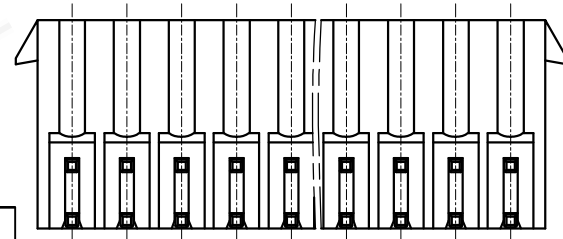
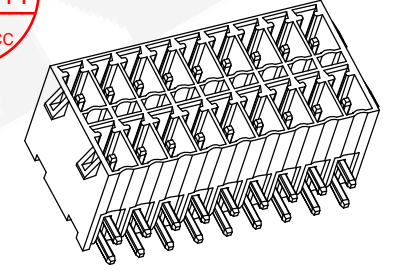
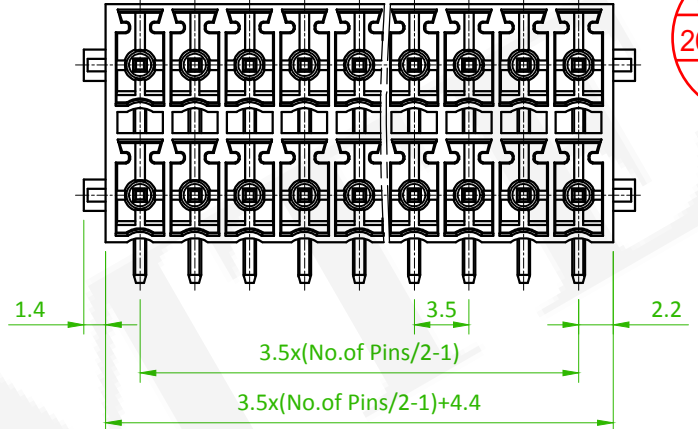
5 T P 3 5 0 R - 5 H B N X X B U A - 0 1



AMTEK 糧德
 2020.09.11
 Released DCC



P.C.B. LAYOUT



△

linear dimension (Tolerances Standard GB/T 14486-2008)								—	□	⊥
variable range	to 6	over 6 to 10	over 10 to 30	over 30 to 60	over 60 to 100	over 100 to 160	to 10	over 10 to 100	to 100	
tolerance	±0.20	±0.30	±0.50	±0.70	±1.00	±1.30	±1.60	0.10	0.30	0.60

△x1	ECN NO:200718 Revise the Dimension	Alice	2020/09/08
REV.	ECN NO. OR DESCRIPTION	REVISED	DATE



糧德精密有限公司
 Amtek Technology Co., Ltd.
 TEL: 886-2-2260-6878
 FAX: 886-2-2260-8030

品名 TITLE	3.50mm Terminal Block				頁數 Page	1/1
品號 PART NO.	5TP350R-5HBNXXBUA-01			繪圖 DRAWN	Roy 2018/07/04	
圖號 DRAWING NO.	GN011-RR615	版本 REV.	B	核對 CHECKED	Josh 2018/07/04	
客戶品號 CUSTOMER P/N		比例 SCALE	None	承認 APPROVED	Jason 2018/07/04	
公差 TOLERANCE		單位 UNIT	mm	THIRD ANGLE PROJECTION	