

Electrical

Standard: UL IEC
 Rated Voltage: 300V 250V
 Rated Current: 8A 10A
 Contact Resistance: 20mΩ
 Insulation Resistance: 500MΩ / DC 500V
 With standing Voltage: AC 2000V for one min

Mechanical

Temp. Range: -40°C ~ +105°C
 Max Soldering: +250°C for 5 Sec

Dimensions

Pitch: 3.5mm
 Poles: 2-24P

Material

Housing: PA66, UL94V-0
 Pin Header: Brass, Tin Plated
 Nut: Brass

ORDER INFORMATION

5 T P 3 5 0 R - 5 E R E X X E L B - 0 1

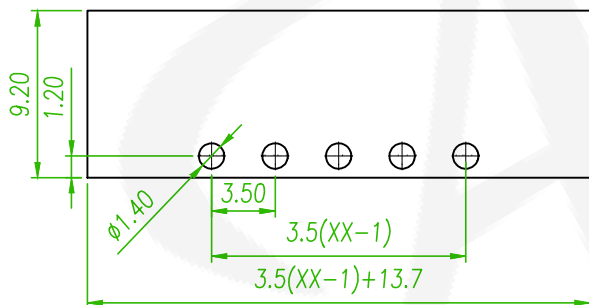
350:
Pitch 3.50mm

Series No.

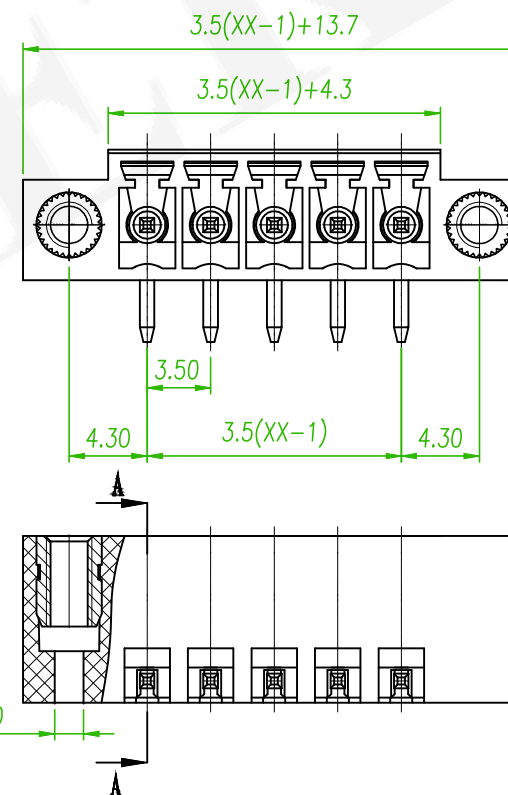
No of Pins total
(02-24)

E:Green

B:Bag



P.C.B. LAYOUT



linear dimension (Tolerances Standard GB/T 14486-2008)								—	□	⊥
variable range	to 6	over 6 to 10	over 10 to 30	over 30 to 60	over 60 to 100	over 100 to 160	to 10	over 10 to 100	over 100 to 160	
tolerance	±0.20	±0.30	±0.50	±0.70	±1.00	±1.30	±1.60	0.10	0.30	0.60

REV.	ECN NO. OR DESCRIPTION	REVISED	DATE
△x1	ECN NO:200718 Revise the Dimension	Alice	2020/09/08

糧德精密有限公司
 Amtek Technology Co., Ltd.
 TEL: 886-2-2260-6878
 FAX: 886-2-2260-8030

品名 TITLE	Terminal Block				頁數 Page	1/1
品號 PART NO.	5TP350R-5EREXXELB-01			繪圖 DRAWN	Roy 2016/06/14	
圖號 DRAWING NO.	GN011-AL287	版本 REV.	B	核對 CHECKED	Sabrina 2016/06/14	
客戶品號 CUSTOMER P/N		比例 SCALE	None	承認 APPROVED	John 2016/06/14	
公差 TOLERANCE		單位 UNIT	mm	THIRD ANGLE PROJECTION		