

ELECTRICAL

Standard: UL IEC
 Rated Voltage: 300V 250V
 Rated Current: 8A 10A
 Contact Resistance: 20mΩ
 Withstanding Voltage: AC 2000V for one min
 Insulation Resistance: 500MΩ

MECHANICAL

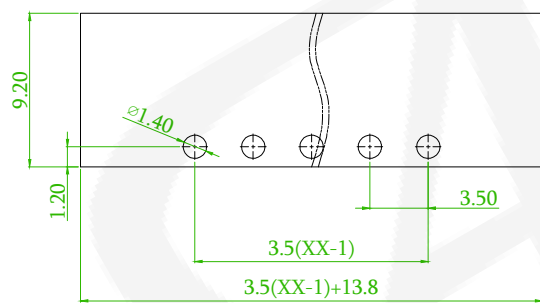
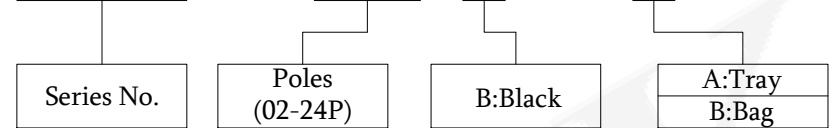
Temp. Range: -40°C ~ +105°C

MATERIAL

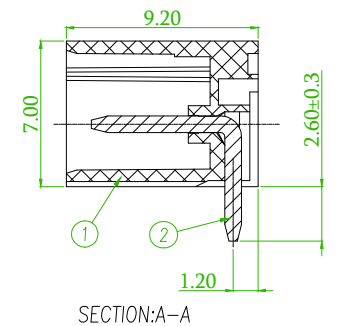
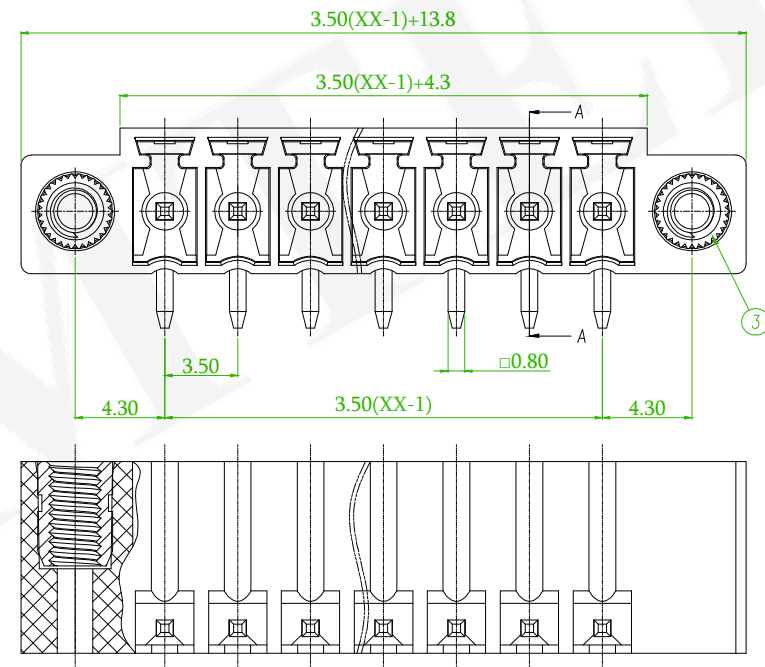
Housing: High temperature polyamide, UL94V-0
 Pin header: Brass, Tin plated

ORDER INFORMATION

5 T P 3 5 0 R - 5 E R E X X B U X - 0 1



P.C.B. LAYOUT



linear dimension(Tolerances Standard GB/T 14486-2008)								—	□	⊥	
variable range	to 6	over 6 to 10	over 10 to 30	over 30 to 60	over 60 to 100	over 100 to 160	to 10	over 10 to 100	to 100	to	
tolerance	±0.20	±0.30	±0.50	±0.70	±1.00	±1.30	±1.60	0.10	0.30	0.60	
REV.	ECN NO:200718 Revise the Dimension							Alice	2020/09/08		
	ECN NO. OR DESCRIPTION							REVISED	DATE		

糧德精密有限公司
 Amtek Technology Co., Ltd.
 TEL: 886-2-2260-6878
 FAX: 886-2-2260-8030

品名 TITLE	3.5mm Terminal Block				頁數 Page	1/1
品號 PART NO.	5TP350R-5EREXXBUX-01			繪圖 DRAWN	Eric 2018/11/27	
圖號 DRAWING NO.	GN011-EA105	版本 REV.	B	核對 CHECKED	Josh 2018/11/27	
客戶品號 CUSTOMER P/N		比例 SCALE	None	承認 APPROVED	Jason 2018/11/27	
公差 TOLERANCE		單位 UNIT	mm	THIRD ANGLE PROJECTION		