


# ORDER INFORMATION

## Technical Date

- Material  
Insulator: Nylon 66+30%G.F., UL94V-0 RoHS  
Contact Pin: Copper Alloy, Tin Plated
- Electrical:  
Current Rating: 5.5A  
Voltage Rating: 160V  
Operation Temperature: -40°C to +115°C  
Withstanding Voltage: 1320V AC/minute  
Approval: 

5 T P 3 5 0 R - 5 E H N X X X L X - W 1

Series No.

No of Contacts (04~24P)

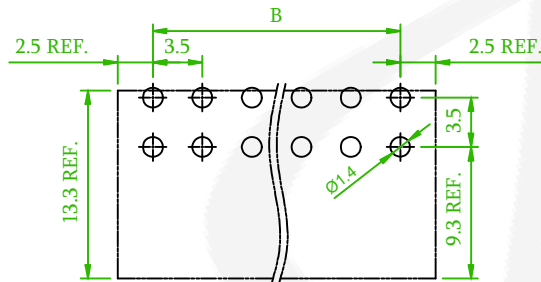
G:Gray O:Orange  
U:Blue R:Red  
B:Black T:Transparent  
E:Green N:Brown

X:Box

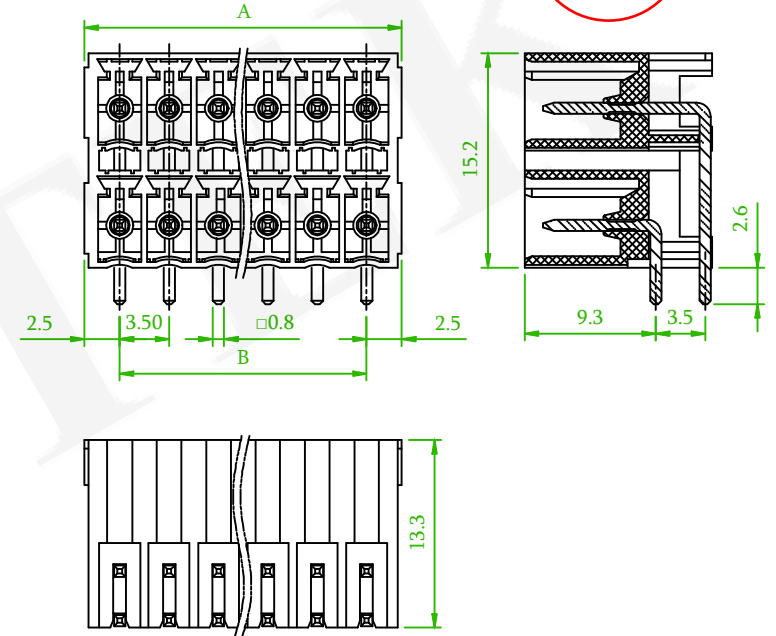


No. of Contacts	Dimensions(mm)		Tolerance
	A	B	
2x2	8.50	3.50	±0.15
2x3	12.00	7.00	
2x4	15.50	10.50	
2x5	19.00	14.00	
2x6	22.50	17.50	
2x7	26.00	21.00	±0.20
2x8	29.50	24.50	
2x9	33.00	28.00	
2x10	36.50	31.50	
2x11	40.00	35.00	
2x12	43.50	38.50	

No. of Contacts	Dimensions(mm)		Tolerance
	A	B	
2x13	47.00	42.00	±0.25
2x14	50.50	45.50	
2x15	54.00	49.00	
2x16	57.50	52.50	
2x17	61.00	56.00	
2x18	64.50	59.50	±0.30
2x19	68.00	63.00	
2x20	71.50	66.50	
2x21	75.00	70.00	
2x22	78.50	73.50	
2x23	82.00	77.00	
2x24	85.50	80.50	



Recommended PCB Layout  
(PCB TOLERANCE ±0.1)



linear dimension(Tolerances Standard GB/T 14486-2008)

— ▯ ⊥

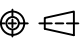
variable range	to 6	over 6 to 10	over 10 to 30	over 30 to 60	over 60 to 100	over 100 to 160	to 10	over 10 to 100	to 100
tolerance	±0.20	±0.30	±0.50	±0.70	±1.00	±1.30 ±1.60	0.10	0.30	0.60

Old P/N: TB15ERH-3.5-XXP-1X-00A-L



糧德精密有限公司  
Amtek Technology Co., Ltd.

TEL: 886-2-2260-6878  
FAX: 886-2-2260-8030

品名 TITLE	Terminal Block				頁數 Page	1/1
品號 PART NO.	△ 5TP350R-5EHNXXXLX-W1			繪圖 DRAWN	Gary 2018/12/24	
圖號 DRAWING NO.	GW019-GB731		版本 REV.	C	核對 CHECKED	Josh 2018/12/24
客戶品號 CUSTOMER P/N			比例 SCALE	None	承認 APPROVED	Jason 2018/12/24
公差 TOLERANCE	.X±0.20 .XX±0.15		單位 UNIT	mm	THIRD ANGLE PROJECTION	

REV.	ECN NO. OR DESCRIPTION	REVISED	DATE
△	ECN NO:230704 Revise the drawing	Alice	2023/08/30
△x1	ECN NO:200718 Revise the Dimension	Alice	2020/09/08