

ORDER INFORMATION



ELECTRICAL

Standard: UL IEC
 Rated Voltage: 300V 250V
 Rated Current: 8A 7A
 Withstanding Voltage: AC 1600V for one minute

5 T P 3 5 0 R - 5 E C N X X X L X - 0 1

350:
Pitch 3.50mm

Series No.

No of Pins total
(02~24)

E:Green

B:Bag

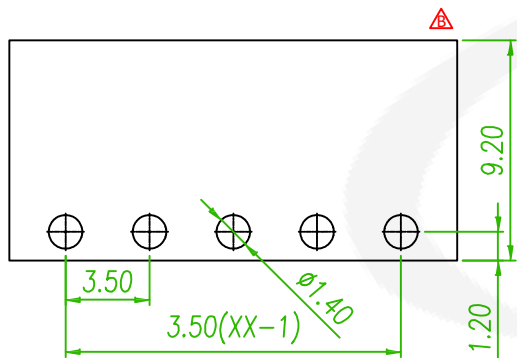
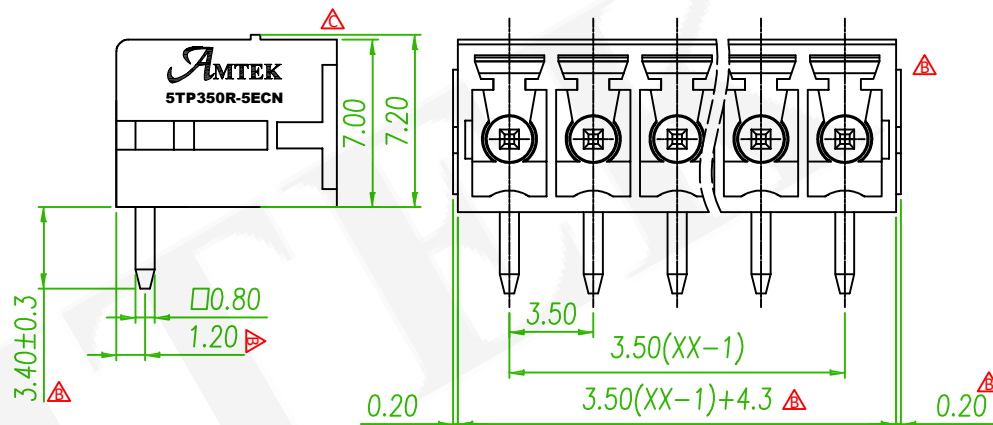
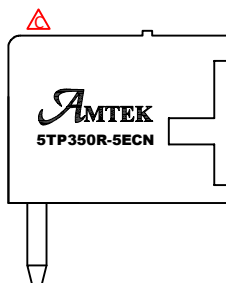
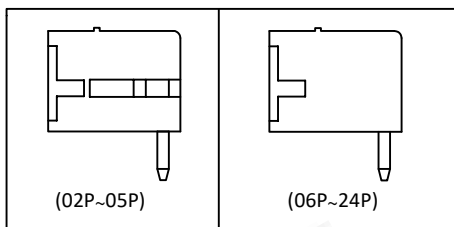


MECHANICAL

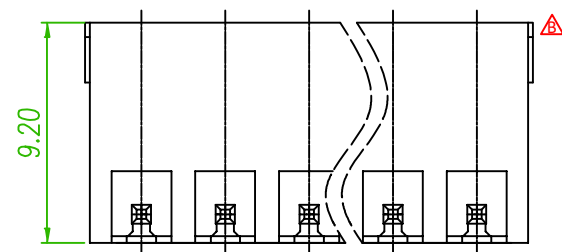
Temp. Range: -40°C~+105°C

MATERIAL

Housing: PA66, UL94V-0
 Pin Header: Copper alloy, Tin plated



Recommended PCB Layout
(PCB TOLERANCE ±0.05)



Old Part No. :TB15ERC-3.5-XXP-1X-00A-L

linear dimension (Tolerances Standard GB/T 14486-2008)										
variable range	to 6	over 6	over 10	over 30	over 60	over 100	over 160	to 10	over 10	over 100
		to 10	to 30	to 60	to 100	to 160	to 100		to 100	
tolerance	±0.20	±0.30	±0.50	±0.70	±1.00	±1.30	±1.60	0.10	0.30	0.60

△	ECN NO.: 231032 Revise the Options	Randy	2023/11/21
△x2	ECN NO.:210508 Add the LOGO	Benson	2021/05/21
△x9	ECN 200409: Revise the drawing	David	2020/05/27
REV.	ECN NO. OR DESCRIPTION	REVISED	DATE

糧德精密有限公司
 Amtek Technology Co., Ltd.
 TEL: 886-2-2260-6878
 FAX: 886-2-2260-8030

品名 TITLE	Terminal Block				頁數 Page	1/1
品號 PART NO.	5TP350R-5ECNXXXLX-01			繪圖 DRAWN	Mia 2017/01/11	
圖號 DRAWING NO.	GN011-MC205	版本 REV.	D	核對 CHECKED	Jonny 2017/01/11	
客戶品號 CUSTOMER P/N		比例 SCALE	None	承認 APPROVED	Aaron 2017/01/11	
公差 TOLERANCE		單位 UNIT	mm	THIRD ANGLE PROJECTION		