

ELECTRICAL

Standard: UL IEC
 Rated Voltage: 300V 160V
 Rated Current: 8A 7A
 Contact Resistance: 20mΩ
 Withstanding Voltage: AC 1600V for one min
 Insulation Resistance: 500MΩ

MECHANICAL

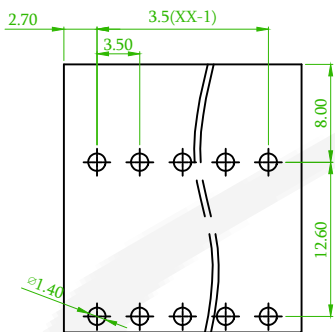
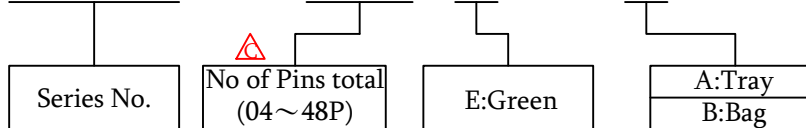
Temp. Range: -40°C ~ +105°C

MATERIAL

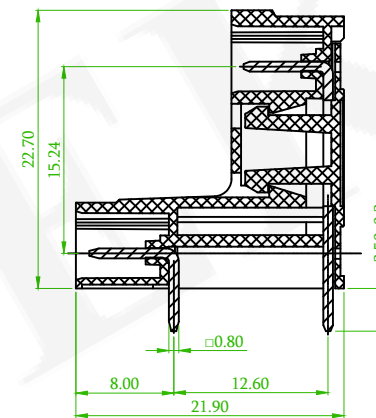
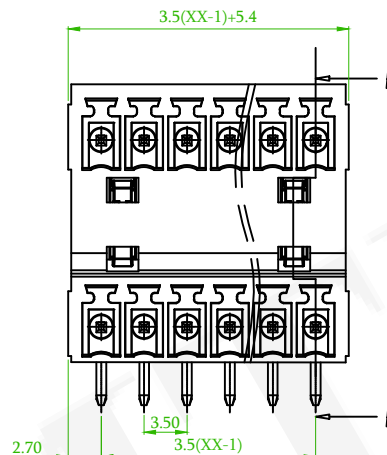
Housing: PA66, UL94V-0
 Contactor: Copper alloy, Sn plated

ORDER INFORMATION

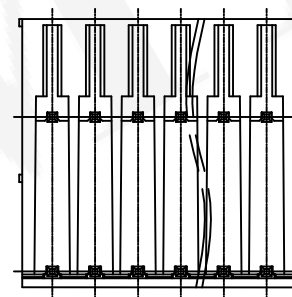
5 T P 3 5 0 R - 5 D T N X X E L X - 0 1



Recommended PCB Layout



SECTION:P-P



linear dimension(Tolerances Standard GB/T 14486-2008)



variable range	to 6	over 6 to 10	over 10 to 30	over 30 to 60	over 60 to 100	over 100 to 160	to 10	over 10 to 100	over 100 to	
tolerance	±0.20	±0.30	±0.50	±0.70	±1.00	±1.30	±1.60	0.10	0.30	0.60

△x1	ECN NO:220814 Revise the PART NO.	Tim	2022/09/16
△x1	ECN NO:200718 Revise the Dimension	Alice	2020/09/04
REV.	ECN NO. OR DESCRIPTION	REVISED	DATE

糧德精密有限公司
 Amtek Technology Co., Ltd.
 TEL: 886-2-2260-6878
 FAX: 886-2-2260-8030

品名 TITLE	3.5mm Terminal Block			頁數 Page	1/1
品號 PART NO.	5TP350R-5DTNXXELX-01			繪圖 DRAWN	Eric 2018/12/17
圖號 DRAWING NO.	GN011-EA296	版本 REV.	C	核對 CHECKED	Josh 2018/12/17
客戶品號 CUSTOMER P/N		比例 SCALE	None	承認 APPROVED	Jason 2018/12/17
公差 TOLERANCE		單位 UNIT	mm	THIRD ANGLE PROJECTION	