

# ORDER INFORMATION

## Electrical

Standard: UL IEC  
 Rated Voltage: 300V 250V  
 Rated Current: 8A 10A  
 Contact Resistance: 20mΩ  
 Insulation Resistance: 500MΩ / DC 500V  
 Withstanding Voltage: AC 2000V for one min  
 Wire Range: 24-16AWG

## Mechanical

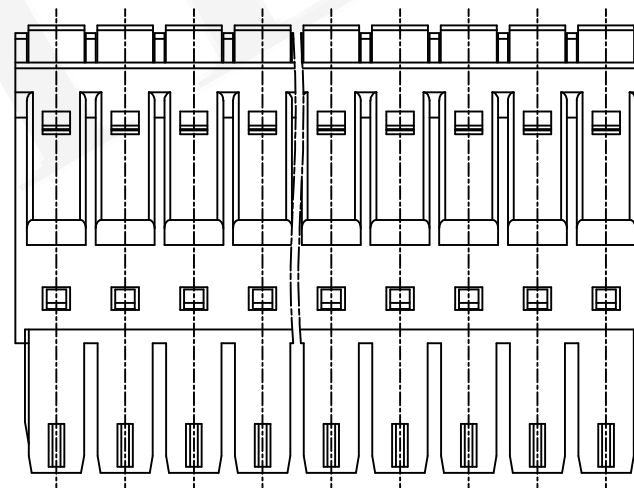
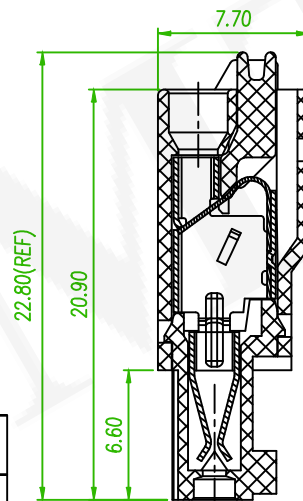
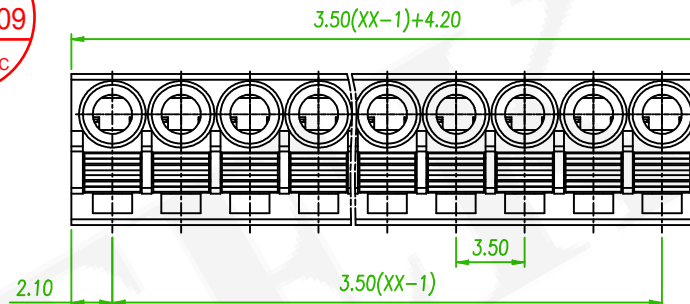
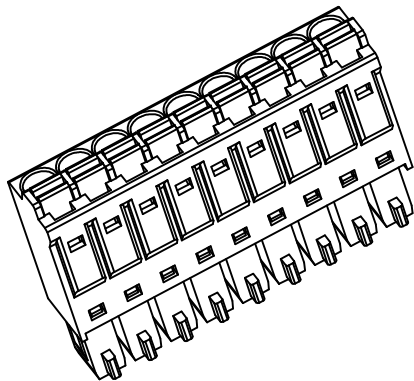
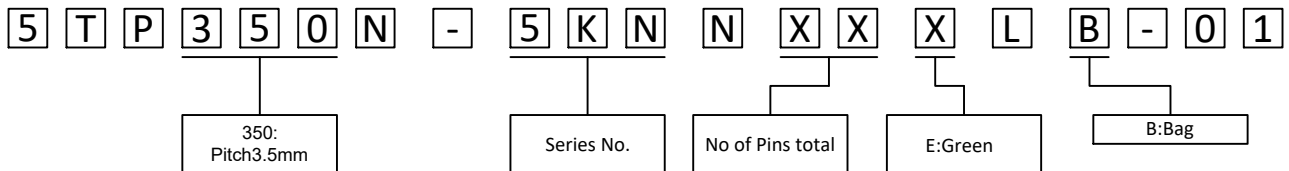
Temp. Range: -40°C ~ +105°C  
 Strip length: 9-10mm

## Dimensions

Pitch: 3.5mm  
 Poles: 2P-24P

## Material

Housing: PA66, UL94V-2  
 Clamp: Copper Alloy, Tin plated  
 Shrapnel: stainless steel



linear dimension (Tolerances Standard GB/T 14486-2008)



variable range	to 6	over 6 to 10	over 10 to 30	over 30 to 60	over 60 to 100	over 100 to 160	to 10	over 10 to 100	over 100 to 160	
tolerance	±0.20	±0.30	±0.50	±0.70	±1.00	±1.30	±1.60	0.10	0.30	0.60

x3	Add the color Options	Alice	2021/08/09
x1	ECN NO:200718 Revise the Dimension	Alice	2020/09/04
REV.	ECN NO. OR DESCRIPTION	REVISED	DATE

糧德精密有限公司  
 Amtek Technology Co., Ltd.  
 TEL: 886-2-2260-6878  
 FAX: 886-2-2260-8030

品名 TITLE	Terminal Block				頁數 Page	1/1
品號 PART NO.	5TP350N-5KNNXXXLB-01			繪圖 DRAWN	Mia 2016/06/21	
圖號 DRAWING NO.	GN011-AL290	版本 REV.	C	核對 CHECKED	Wanling 2016/06/21	
客戶品號 CUSTOMER P/N		比例 SCALE	None	承認 APPROVED	John 2016/06/21	
公差 TOLERANCE		單位 UNIT	mm	THIRD ANGLE PROJECTION		