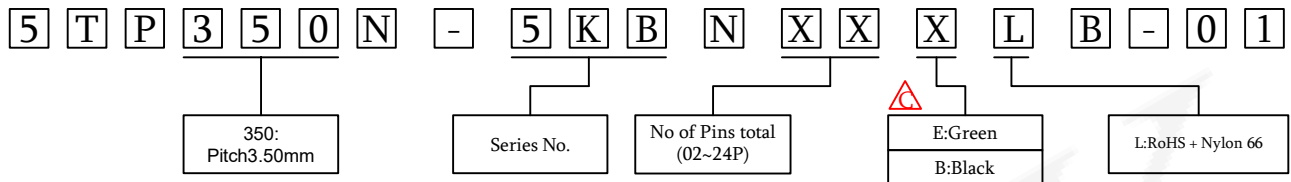


ELECTRICAL

Standard: UL IEC
 Rated Voltage: 300V 250V
 Rated Current: 8A 7A
 Contact Resistance: 20mΩ
 Insulation Resistance: 500MΩ
 Wire Range: 28~16AWG 1.5mm²
 Dielectric Voltage: AC 2000V for one minute

ORDER INFORMATION

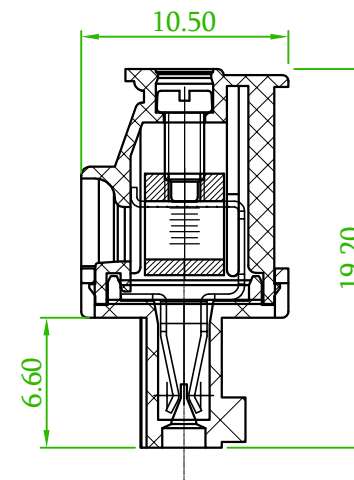
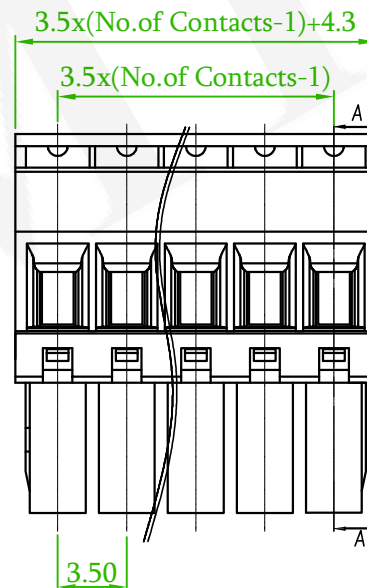
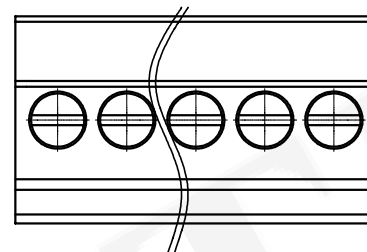


MECHANICAL

Torque: 0.2Nm
 Strip Length: 6~7mm
 Temp. Range: -40°C ~ +105°C

MATERIAL

Housing: Nylon 66, UL94V-0
 Screw: M2.0, Steel, Zn Plated
 Clamp: Copper Alloy, Ni Plated
 Cage: Copper Alloy, Ni Plated



SECTION:A-A
 Old Part No. :TB15EKB-3.5-XXP-14-00A-L



linear dimension (Tolerances Standard GB/T 14486-2008)								—	□	⊥
variable range	to 6	over 6 to 10	over 10 to 30	over 30 to 60	over 60 to 100	over 100 to 160	over 160 to 10	to 10	to 100	to 100
tolerance	±0.20	±0.30	±0.50	±0.70	±1.00	±1.30	±1.60	0.10	0.30	0.60

△x2	Add the Color	David	2021/01/18
△x1	ECN NO:200718 Revise the Dimension	Alice	2020/09/04
REV.	ECN NO. OR DESCRIPTION	REVISED	DATE

糧德精密有限公司
 Amtek Technology Co., Ltd.
 TEL: 886-2-2260-6878
 FAX: 886-2-2260-8030

品名 TITLE	Terminal Block				頁數 Page	1/1
品號 PART NO.	△ 5TP350N-5KBNXXXLB-01			繪圖 DRAWN	Roy 2017/08/31	
圖號 DRAWING NO.	GN011-RL970	版本 REV.	C	核對 CHECKED	Carol 2017/08/31	
客戶品號 CUSTOMER P/N		比例 SCALE	None	承認 APPROVED	Jason 2017/08/31	
公差 TOLERANCE	.X ±0.38 .XX ±0.25	單位 UNIT	mm	THIRD ANGLE PROJECTION		