

**ELECTRICAL**

Standard: UL IEC  
 Rated Voltage: 300V 250V  
 Rated Current: 8A 7A  
 Contact Resistance: 20mΩ  
 Withstanding Voltage: AC 2000V for one min  
 Insulation Resistance: 500MΩ  
 Wire range: 28-16AWG 1.5mm<sup>2</sup>

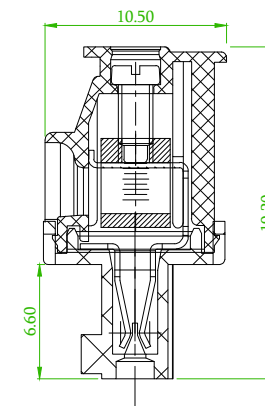
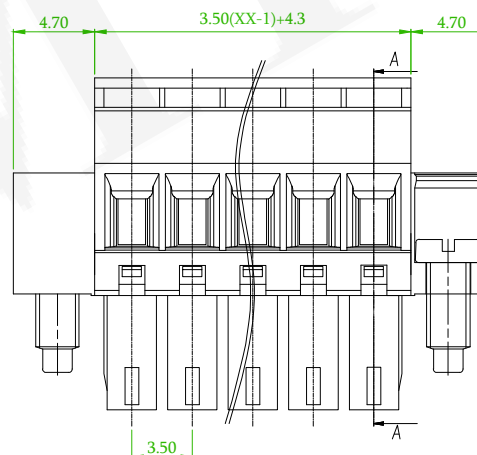
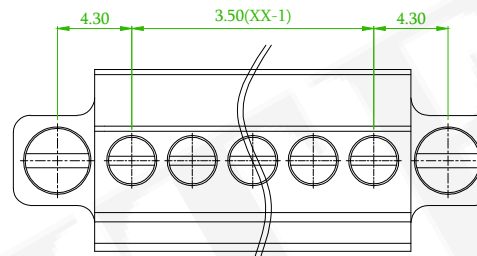
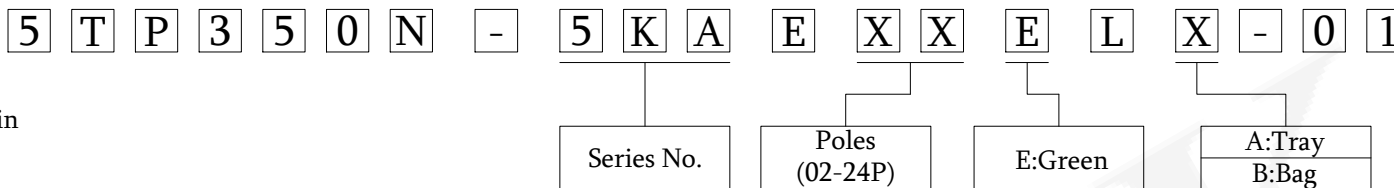
**MECHANICAL**

Temp. Range: -40°C ~ +105°C  
 Torque: 0.2Nm  
 Steip length: 6-7mm

**MATERIAL**

Housing: PA66, UL94V-0  
 Screws: M2.0 Steel, Zn plated  
 Clamp: Copper alloy, Ni plated  
 Cage: Copper alloy, Ni plated

**ORDER INFORMATION**



△

linear dimension(Tolerances Standard GB/T 14486-2008)



variable range	to 6	over 6 to 10	over 10 to 30	over 30 to 60	over 60 to 100	over 100 to 160	to 10	over 10 to 100	over 100 to 160	
tolerance	±0.20	±0.30	±0.50	±0.70	±1.00	±1.30	±1.60	0.10	0.30	0.60

REV.	△x1	ECN NO:200718 Revise the Dimension	Alice	2020/09/04
		ECN NO. OR DESCRIPTION	REVISED	DATE

 糧德精密有限公司 Amtek Technology Co., Ltd. TEL: 886-2-2260-6878 FAX: 886-2-2260-8030	品名 TITLE	3.5mm Terminal Block			頁數 Page	1/1
	品號 PART NO.	5TP350N-5KAEXXELX-01			繪圖 DRAWN	Eric 2018/12/14
	圖號 DRAWING NO.	GN011-EA285	版本 REV.	B	核對 CHECKED	Josh 2018/12/14
	客戶品號 CUSTOMER P/N		比例 SCALE	None	承認 APPROVED	Jason 2018/12/14
	公差 TOLERANCE		單位 UNIT	mm	THIRD ANGLE PROJECTION	