

ELECTRICAL

Standard: UL IEC
 Rated Voltage: 150V 250V
 Rated Current: 5A 5A
 Contact Resistance: 20mΩ
 Withstanding Voltage: AC 2000V for one min
 Insulation Resistance: 500MΩ

MECHANICAL

Temp. Range: -40°C ~ +105°C

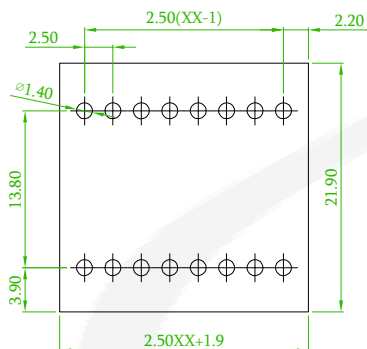
MATERIAL

Housing: PA66, UL94V-0
 Pin header: Copper alloy, Sn plated

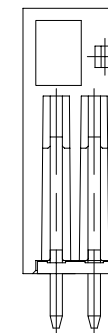
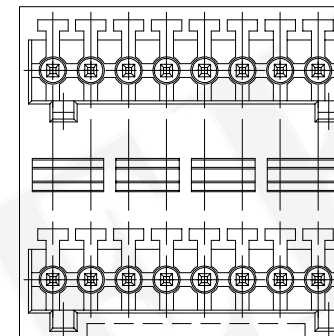
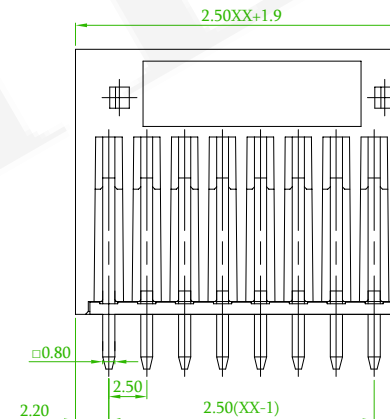
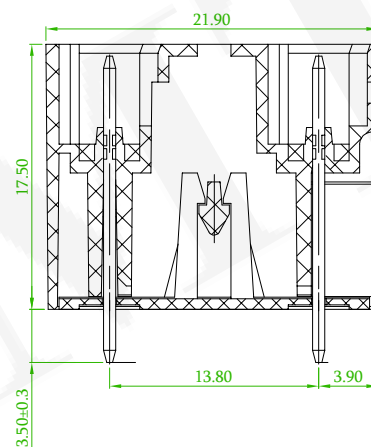
ORDER INFORMATION

5 T P 2 5 0 S - 5 P H N X X X L X - 0 1

Series No. No of Pins total (04~48P) E:Green A:Tray B:Bag



Recommended PCB Layout (PCB TOLERANCE ±0.05)



4 Poles

linear dimension (Tolerances Standard GB/T 14486-2008)



variable range	to 6	over 6 to 10	over 10 to 30	over 30 to 60	over 60 to 100	over 100 to 160	to 10	over 10 to 100	to 100	
tolerance	±0.20	±0.30	±0.50	±0.70	±1.00	±1.30	±1.60	0.10	0.30	0.60

△	ECN NO:230714 Revise the PART NO.	Randy	2023/09/23
△x1	ECN NO:220814 Revise the PART NO.	Tim	2022/09/16
△x2	ECN NO:201215 Revise the PART NO.	Alice	2020/12/30
REV.	ECN NO. OR DESCRIPTION	REVISED	DATE

 糧德精密有限公司 Amtek Technology Co., Ltd. TEL: 886-2-2260-6878 FAX: 886-2-2260-8030	品名 TITLE	2.5mm Terminal Block			頁數 Page	1/1
	品號 PART NO.	△ 5TP250S-5PHNXXXLX-01 △			繪圖 DRAWN	Eric 2018/12/13
	圖號 DRAWING NO.	GN011-EA283	版本 REV.	E	核對 CHECKED	Josh 2018/12/13
	客戶品號 CUSTOMER P/N		比例 SCALE	None	承認 APPROVED	Jason 2018/12/13
	公差 TOLERANCE		單位 UNIT	mm	THIRD ANGLE PROJECTION	