

ELECTRICAL

Standard: UL IEC
 Rated Voltage: 150V 250V
 Rated Current: 5A 6A
 Contact Resistance: 20mΩ
 Withstanding Voltage: AC 1250V for one min
 Insulation Resistance: 500MΩ

MECHANICAL

Temp. Range: -40°C ~ +105°C

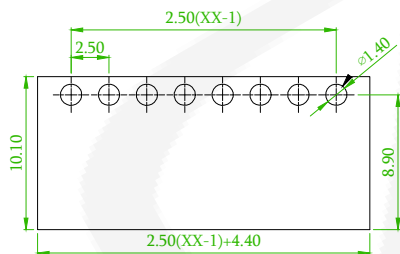
MATERIAL

Housing: PA66, UL94V-0
 Pin header: Copper alloy, Sn plated

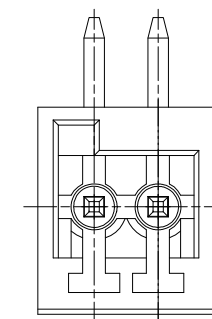
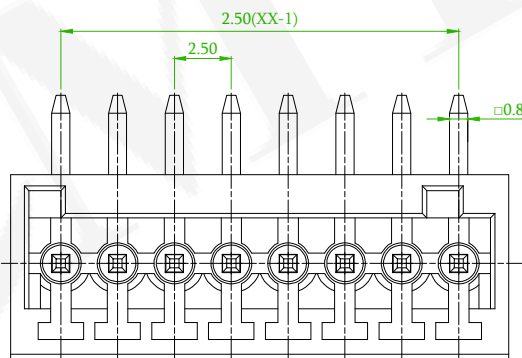
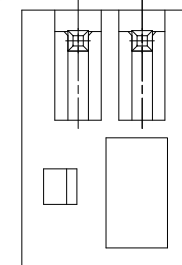
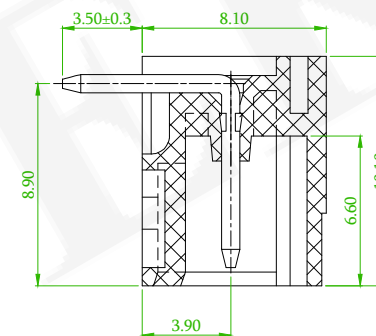
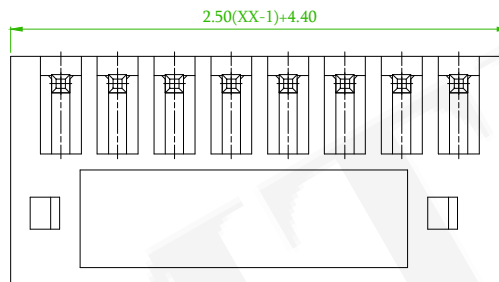
ORDER INFORMATION

5 T P 2 5 0 R - 5 E C N X X E L X - 0 1

Series No. Poles (02-24P) E:Green A:Tray B:Bag



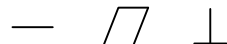
Recommended PCB Layout



2 Poles

△B

linear dimension(Tolerances Standard GB/T 14486-2008)



variable range	to 6	over 6 to 10	over 10 to 30	over 30 to 60	over 60 to 100	over 100 to 160	to 10	over 10 to 100	to 100	
tolerance	±0.20	±0.30	±0.50	±0.70	±1.00	±1.30	±1.60	0.10	0.30	0.60

REV.	ECN NO. OR DESCRIPTION	REVISED	DATE
△Bx1	ECN NO.:200718 Revise the Dimension	Alice	2020/09/03

 糧德精密有限公司 Amtek Technology Co., Ltd. TEL: 886-2-2260-6878 FAX: 886-2-2260-8030	品名 TITLE	2.5mm Terminal Block			頁數 Page	1/1
	品號 PART NO.	5TP250R-5ECNXXELX-01			繪圖 DRAWN	Eric 2018/12/13
	圖號 DRAWING NO.	GN011-EA282	版本 REV.	B	核對 CHECKED	Josh 2018/12/13
	客戶品號 CUSTOMER P/N		比例 SCALE	None	承認 APPROVED	Jason 2018/12/13
	公差 TOLERANCE		單位 UNIT	mm	THIRD ANGLE PROJECTION	