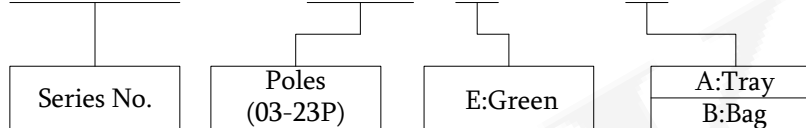


ELECTRICAL

Standard: UL IEC
 Rated Voltage: 300V 450V
 Rated Current: 15A 17.5A
 Contact Resistance: 20mΩ
 Insulation Resistance: 500MΩ/DC500V
 Withstanding Voltage: AC 2000V for one min

ORDER INFORMATION

5 T P 1 0 1 S - 2 E C N X X E L X - 0 1

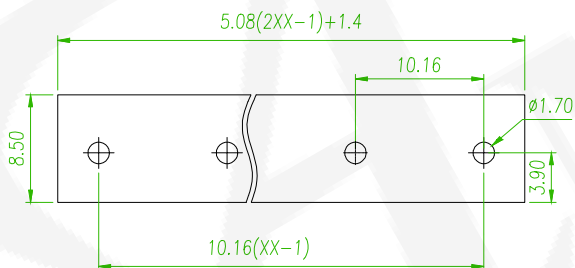


MECHANICAL

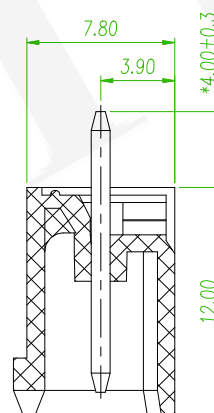
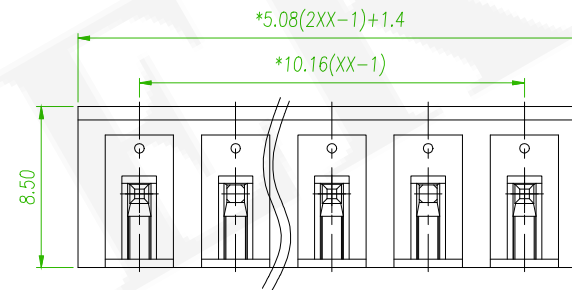
Temp. Range: -40°C ~ +105°C
 Max Soldering: +250°C for 5 Sec
 Pitch: 5.08mm
 Poles: 03-23 P

MATERIAL

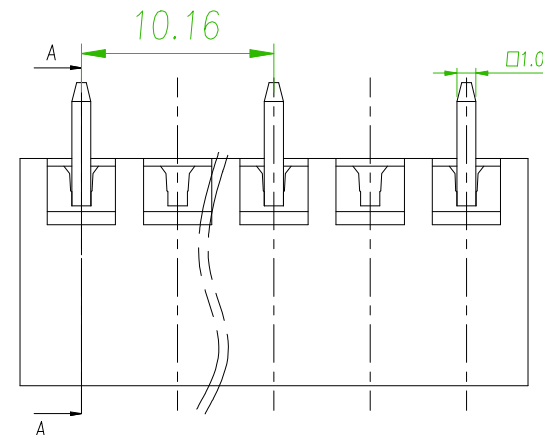
Housing: PA66, UL94V-0
 Contactor: Brass, Tin plated



P.C.B. LAYOUT



SECTION:A-A



linear dimension(Tolerances Standard GB/T 14486-2008)								—	□	⊥
variable range	to 6	over 6 to 10	over 10 to 30	over 30 to 60	over 60 to 100	over 100 to 160	to 10	over 10 to 100	to 100	
tolerance	±0.20	±0.30	±0.50	±0.70	±1.00	±1.30	±1.60	0.10	0.30	0.60

REV.	ECN NO. OR DESCRIPTION	REVISED	DATE
B.1	ECN NO:200718 Revise the Dimension	Alice	2020/09/03

糧德精密有限公司
 Amtek Technology Co., Ltd.
 TEL: 886-2-2260-6878
 FAX: 886-2-2260-8030

品名	Terminal Block				頁數	1/1
TITLE					Page	
品號	5TP101S-2ECNXXELX-01			繪圖	Nick	
PART NO.				DRAWN	2020/02/12	
圖號	GN011-NI916	版本	B	核對	Josh	
DRAWING NO.		REV.		CHECKED	2020/02/12	
客戶品號		比例	None	承認	Josh	
CUSTOMER P/N		SCALE		APPROVED	2020/02/12	
公差		單位	mm	THIRD ANGLE PROJECTION		
TOLERANCE		UNIT				