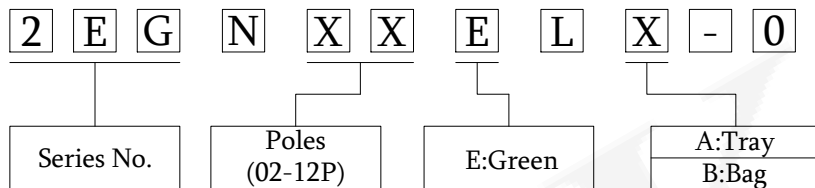


ELECTRICAL

Standard: UL IEC
 Rated Voltage: 300V 320V
 Rated Current: 15A 10A
 Contact Resistance: 20mΩ
 Insulation Resistance: 500MΩ/DC500V
 Withstanding Voltage: AC 2000V for one min

ORDER INFORMATION

5 T P 1 0 1 R - 2 E G N X X E L X - 0 1

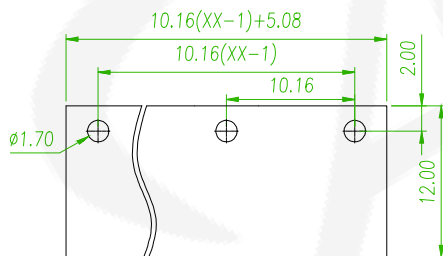


MECHANICAL

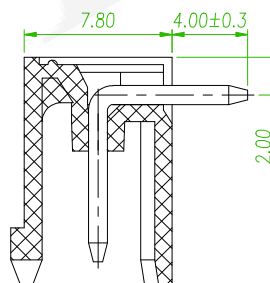
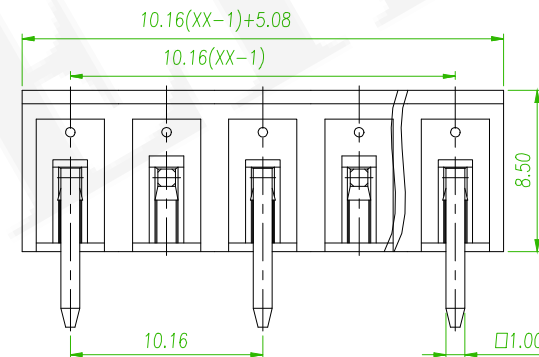
Temp. Range: -40°C ~ +105°C
 Max Soldering: +250°C for 5 Sec
 Pitch: 10.16mm
 Poles: 02-12 P

MATERIAL

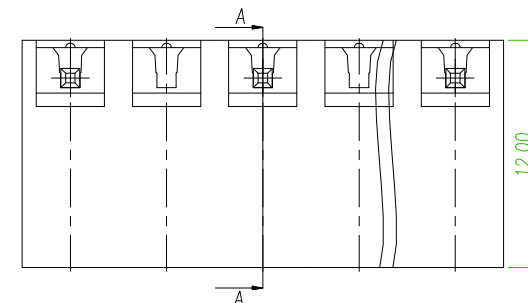
Housing: PA66, UL94V-0
 Contactor: Copper alloy, Sn plated



P.C.B. LAYOUT



SECTION:A-A



linear dimension(Tolerances Standard GB/T 14486-2008)								—	□	⊥
variable range	to 6	over 6 to 10	over 10 to 30	over 30 to 60	over 60 to 100	over 100 to 160	to 10	over 10 to 100	to 100	
tolerance	±0.20	±0.30	±0.50	±0.70	±1.00	±1.30	±1.60	0.10	0.30	0.60



ECN NO:200718 Revise the Dimension

Alice

2020/09/03

REV.

ECN NO. OR DESCRIPTION

REVISED

DATE



糧德精密有限公司
 Amtek Technology Co., Ltd.

TEL: 886-2-2260-6878
 FAX: 886-2-2260-8030

品名 TITLE	Terminal Block				頁數 Page	1/1
品號 PART NO.	5TP101R-2EGNXXELX-01			繪圖 DRAWN	Nick 2020/02/12	
圖號 DRAWING NO.	GN011-NI915	版本 REV.	B	核對 CHECKED	Josh 2020/02/12	
客戶品號 CUSTOMER P/N		比例 SCALE	None	承認 APPROVED	Josh 2020/02/12	
公差 TOLERANCE		單位 UNIT	mm	THIRD ANGLE PROJECTION		