

ELECTRICAL

Standard: UL IEC
 Rated Voltage: 300V 320V
 Rated Current: 15A 10A
 Contact Resistance: 20mΩ
 Withstanding Voltage: AC 2000V for one min
 Insulation Resistance: 500MΩ
 Wire range: 28-14AWG 2.5mm²

MECHANICAL

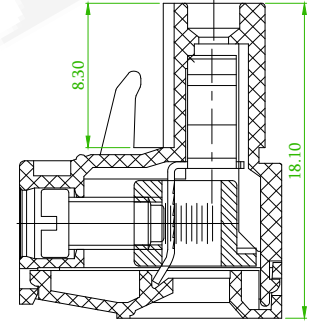
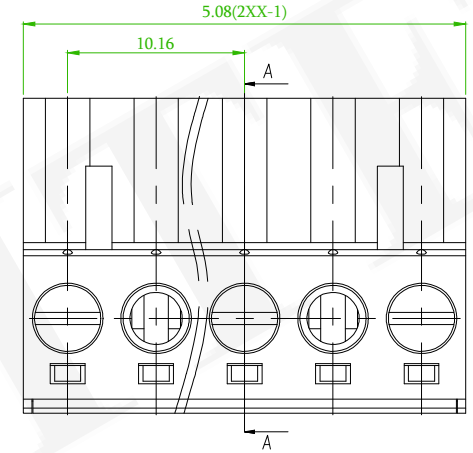
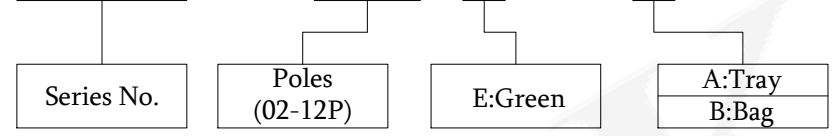
Temp. Range: -40°C ~ +105°C
 Torque: 0.5Nm
 Steip length: 7-8mm

MATERIAL

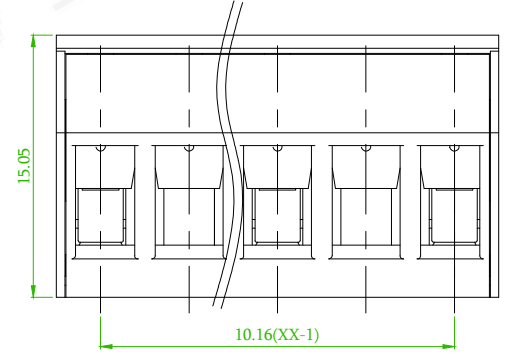
Housing: PA66, UL94V-0
 Screws: M3.0 Steel Zn plated
 Clamp: Copper alloy, Ni plated
 Cage: Copper alloy, Ni plated

ORDER INFORMATION

5 T P 1 0 1 N - 2 E K N X X E L X - 0 1



SECTION A-A



linear dimension(Tolerances Standard GB/T 14486-2008)								—	□	⊥
variable range	to 6	over 6 to 10	over 10 to 30	over 30 to 60	over 60 to 100	over 100 to 160	to 10	over 10 to 100	over 100 to	
tolerance	±0.20	±0.30	±0.50	±0.70	±1.00	±1.30	±1.60	0.10	0.30	0.60
REV.	ECN NO. OR DESCRIPTION							REVISED	DATE	

△Bx1 ECN NO:200718 Revise the Dimension Alice 2020/08/27

糧德精密有限公司
 Amtek Technology Co., Ltd.
 TEL: 886-2-2260-6878
 FAX: 886-2-2260-8030

品名 TITLE	10.16mm Terminal Block				頁數 Page	1/1
品號 PART NO.	5TP101N-2EKNXXELX-01			繪圖 DRAWN	Eric 2018/12/17	
圖號 DRAWING NO.	GN011-EA309	版本 REV.	B	核對 CHECKED	Josh 2018/12/17	
客戶品號 CUSTOMER P/N		比例 SCALE	None	承認 APPROVED	Jason 2018/12/17	
公差 TOLERANCE		單位 UNIT	mm	THIRD ANGLE PROJECTION		