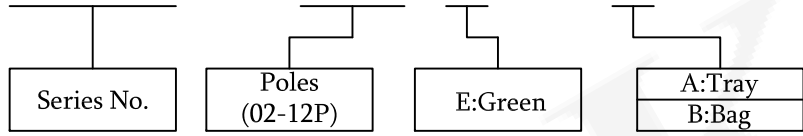


ELECTRICAL

Standard: UL IEC
 Rated Voltage: 600V 630V
 Rated Current: 15A 10A
 Withstanding Voltage: AC 2200V for one min

ORDER INFORMATION

5 T P 1 0 0 S - 2 E V N X X E L X - 0 1

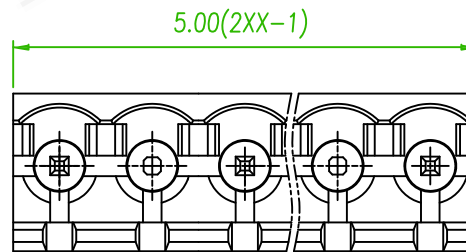
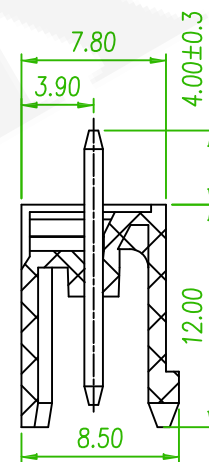
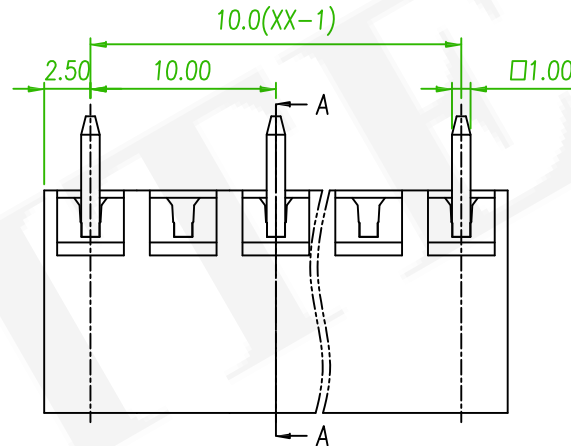
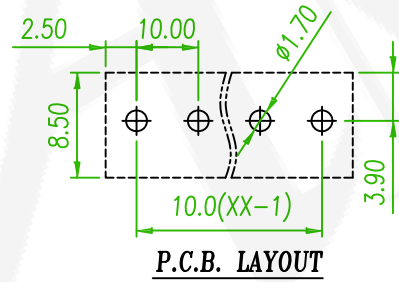


MATERIAL

Housing: PA66, UL94V-0
 Contactor: Copper alloy, Sn plated

MECHANICAL

Pitch/Pole: 10.0/02~12
 Temp. Range: -40°C ~ +105°C
 Pin Dimension: 1.0*1.0
 PCB Hole Diameter: φ1.7



linear dimension(Tolerances Standard GB/T 14486-2008)							—	∕	⊥	
variable range	to 6	over 6 to 10	over 10 to 30	over 30 to 60	over 60 to 100	over 100 to 160	to 10	over 10 to 100	over 100 to	
tolerance	±0.20	±0.30	±0.50	±0.70	±1.00	±1.30	±1.60	0.10	0.30	0.60

REV.	ECN NO. OR DESCRIPTION	REVISED	DATE

Amtek 糧德精密有限公司
 Amtek Technology Co., Ltd.
 TEL: 886-2-2260-6878
 FAX: 886-2-2260-8030

品名 TITLE	Terminal Block				頁數 Page	1/1
品號 PART NO.	5TP100S-2EVNXXELX-01				繪圖 DRAWN	Nick 2020/02/12
圖號 DRAWING NO.	GN011-NI912	版本 REV.	A	核對 CHECKED	Josh 2020/02/12	
客戶品號 CUSTOMER P/N		比例 SCALE	None	承認 APPROVED	Josh 2020/02/12	
公差 TOLERANCE		單位 UNIT	mm	THIRD ANGLE PROJECTION		