

ELECTRICAL ⚠️ ⚠️

Standard: UL
 Rated Voltage: 300V
 Rated Current: 15A
 Contact Resistance: 20mΩ
 Insulation Resistance: 500MΩ/DC500V
 Withstanding Voltage: AC 2000V for one min
 Wire range: 22-14AWG 1.5mm²

MECHANICAL

Torque: 0.5N.m
 Temp. Range: -40°C ~ +105°C
 Max Soldering: +250°C, for 5 Sec

MATERIAL

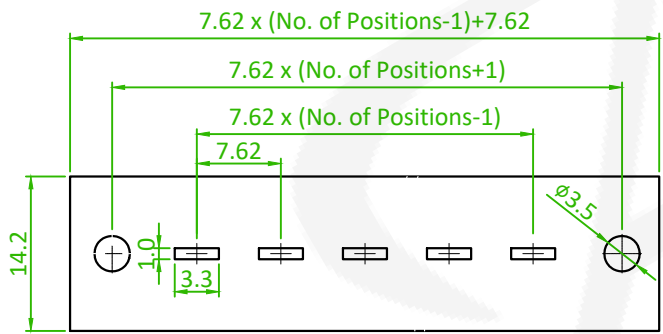
Housing: Nylon 66, UL94V-0
 Screws: M3, Steel, Ni Plated
 Pin Header: Copper Alloy 0.8t, Tin Plated
 Cover: PC, UL94V-2

ORDER INFORMATION

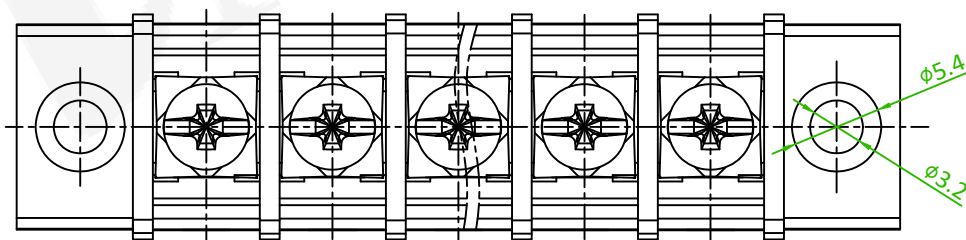
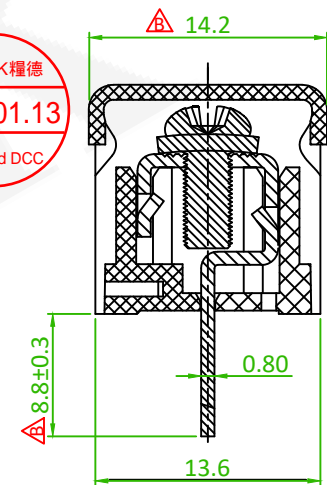
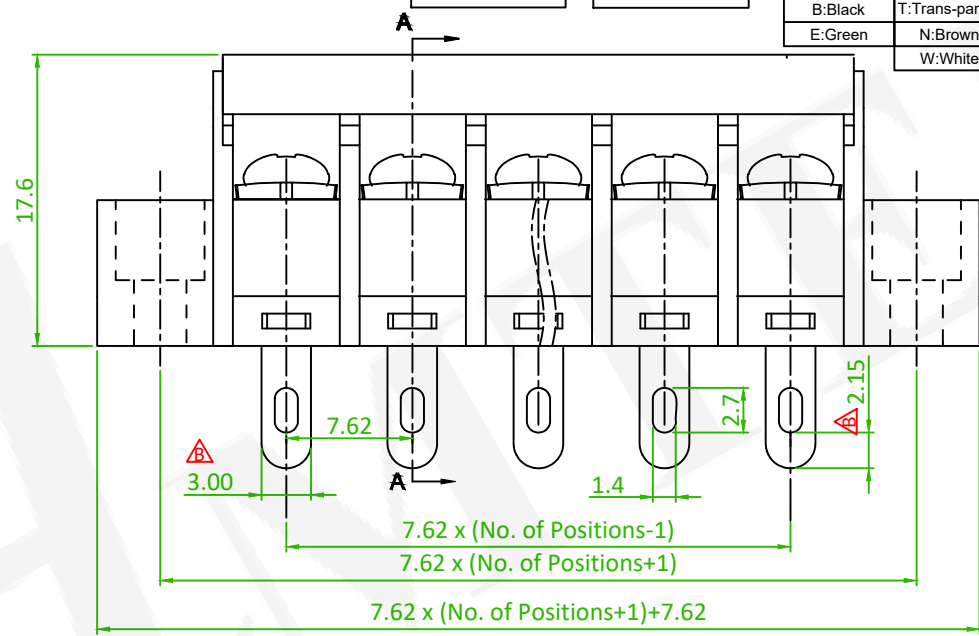
5 T B 7 6 2 S - 2 8 H E X X X L B - W 1

Series No.	No of Pins total (02-26P)	G: Gray	O: Orange
		U: Blue	R: Red
		B: Black	T: Trans-parent
		E: Green	N: Brown
			W: White

B: Bag



Recommended P.C.B Layout (PCB TOLERANCE±0.1) ⚠️



linear dimension (Tolerances Standard GB/T 14486-2008)								—	∕	⊥
variable range	to 6	over 6 to 10	over 10 to 30	over 30 to 60	over 60 to 100	over 100 to 160	to 10	over 10 to 100	over 100 to	
tolerance	±0.20	±0.30	±0.50	±0.70	±1.00	±1.30	±1.60	0.10	0.30	0.60

⚠️ x2	ECN NO: 201211 Revise the PART NO	Alice	2021/01/04
⚠️ x1	ECN NO: 200718 Revise the Tolerance	Alice	2020/11/12
⚠️ x1	ECN 200102: Remove the IEC	David	2020/06/06
REV.	ECN NO. OR DESCRIPTION	REVISED	DATE

糧德精密有限公司
 Amtek Technology Co., Ltd.
 TEL: 886-2-2260-6878
 FAX: 886-2-2260-8030

Old Part No.: TB28H-A-XXP-1X-00A-L

品名 TITLE	Terminal Block				頁數 Page	1/1
品號 PART NO.	⚠️ 5TB762S-28HEXXXLB-W1			繪圖 DRAWN	Mia 2017/11/30	
圖號 DRAWING NO.	GN011-MC791	版本 REV.	E	核對 CHECKED	Jason 2017/11/30	
客戶品號 CUSTOMER P/N		比例 SCALE	None	承認 APPROVED	Jason 2017/11/30	
公差 TOLERANCE		單位 UNIT	mm	THIRD ANGLE PROJECTION		