

ELECTRICAL 

Standard: UL
 Rated Voltage: 300V
 Rated Current: 15A
 Contact Resistance: 20mΩ
 Withstanding Voltage: AC 2000V for one min
 Insulation Resistance: 500MΩ
 Wire range: 22-14AWG 1.5mm²

MECHANICAL

Temp. Range: -40°C ~ +105°C
 Torque: 0.5Nm

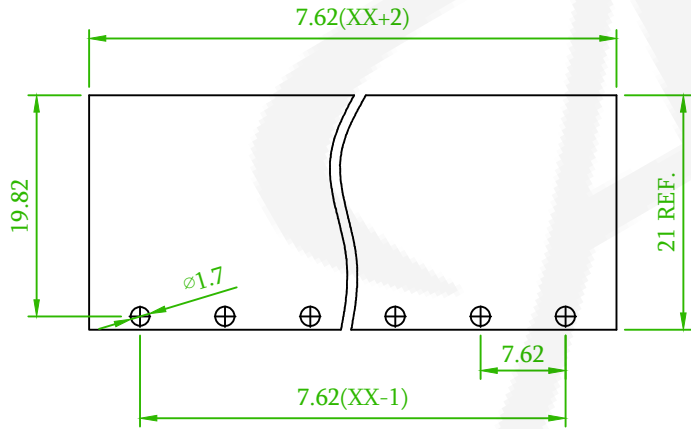
MATERIAL

Housing: PA66, UL94V-0
 Screws: M3 Steel Ni plated
 Pin header: Copper alloy, Tin plated

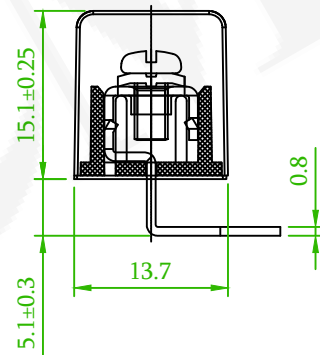
ORDER INFORMATION

5 T B 7 6 2 R - 2 5 R E X X B L X - W 1

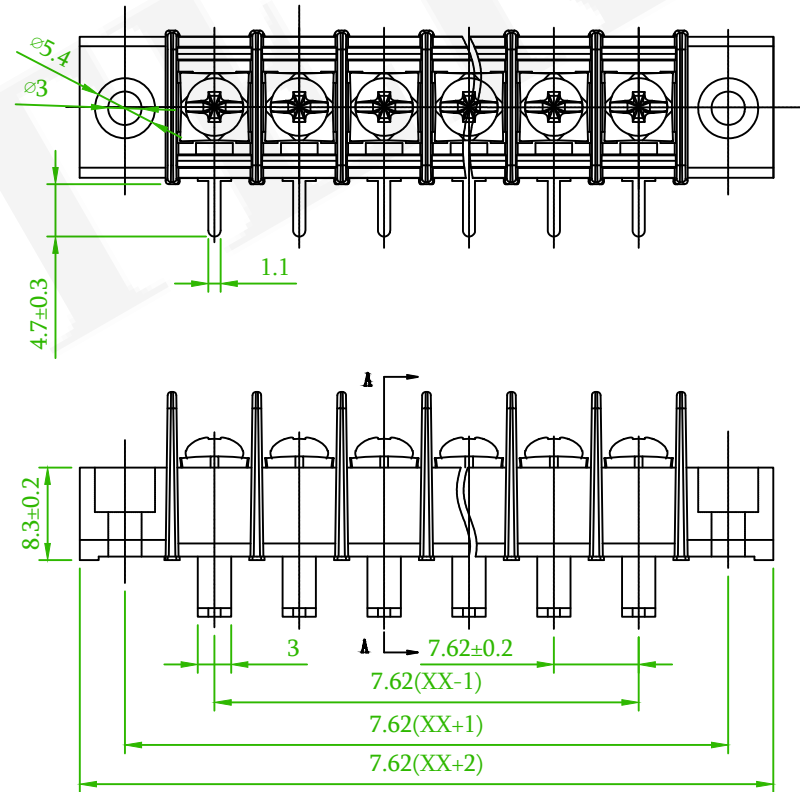
Series No. Poles (02-24P) B:Black A:Tray B:Bag



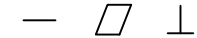
Recommended PCB Layout






Section A-A



linear dimension (Tolerances Standard GB/T 14486-2008)




variable range	to 6	over 6 to 10	over 10 to 30	over 30 to 60	over 60 to 100	over 100 to 160	to 10	over 10 to 100	over 100 to	
tolerance	±0.20	±0.30	±0.50	±0.70	±1.00	±1.30	±1.60	0.10	0.30	0.60

 x2	ECN NO:201211 Revise the PART NO	Alice	2021/01/04
 x1	ECN NO:200718 Revise the Tolerance	Alice	2020/11/11
 x1	ECN 200102: Remove the IEC	David	2020/06/06
REV.	ECN NO. OR DESCRIPTION	REVISED	DATE



糧德精密有限公司
 Amtek Technology Co., Ltd.
 TEL: 886-2-2260-6878
 FAX: 886-2-2260-8030

品名 TITLE	7.62mm TERMINAL BLOCK				頁數 Page	1/1
品號 PART NO.	 5TB762R-25REXXBLX-W1				繪圖 DRAWN	Gary 2019/01/04
圖號 DRAWING NO.	GN011-GB758	版本 REV.	D	核對 CHECKED	Josh 2019/01/04	
客戶品號 CUSTOMER P/N		比例 SCALE	None	承認 APPROVED	Jason 2019/01/04	
公差 TOLERANCE		單位 UNIT	mm	THIRD ANGLE PROJECTION	