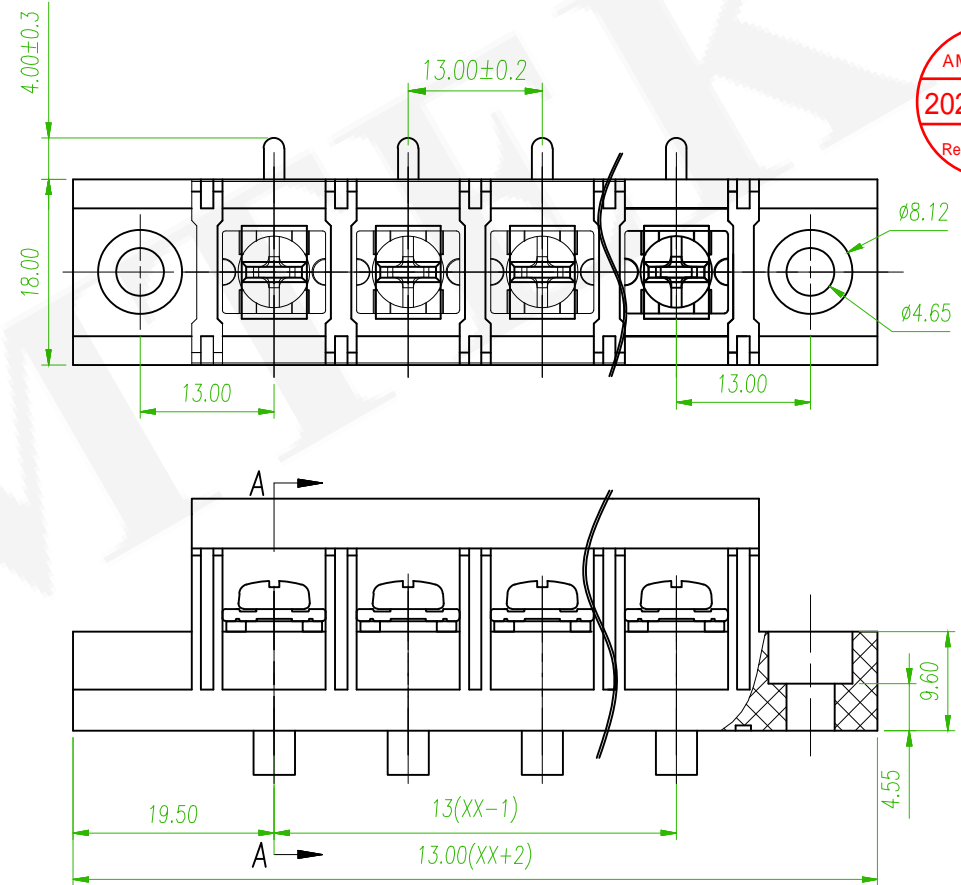
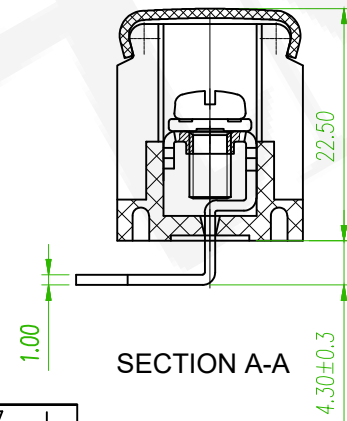
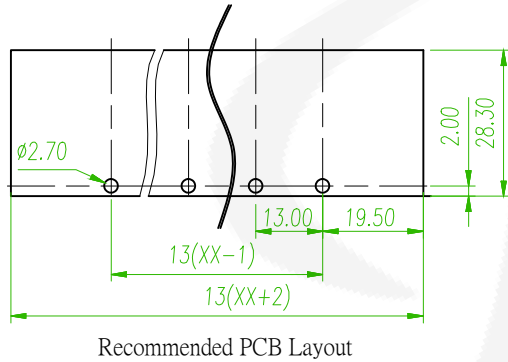
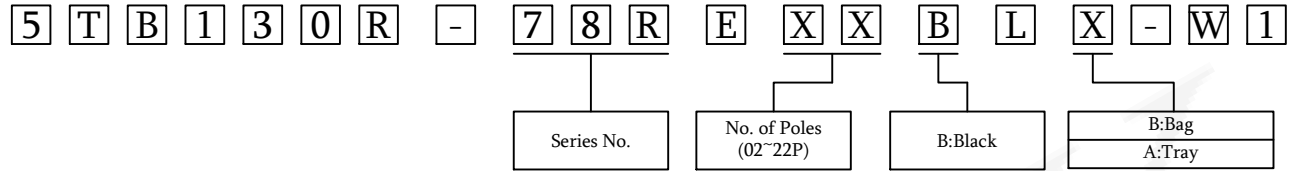


Electrical B
 Standard: UL
 Rated Voltage: 600V
 Rated Current: 40A
 Contact Resistance: 20mΩ
 Insulation Resistance: 500MΩ / DC 500V
 Wire Range: 18-10AWG 6.0mm²
 Dielectric Voltage: AC 2200V for one minute
 Temp. Range: -40°C ~ +105°C

Mechanical
 Torque: 1.2Nm

Material
 Housing: Nylon 66, UL94V-0
 Screws: M4.0, Steel, Ni Plated
 Pin Header: Copper Alloy, Sn Plated
 Cover: PC, UL94V-2

ORDER INFORMATION



linear dimension (Tolerances Standard GB/T 14486-2008)										
variable range	to 6	over 6 to 10	over 10 to 30	over 30 to 60	over 60 to 100	over 100 to 160	to 10	over 10 to 100	over 100 to 1000	
tolerance	±0.20	±0.30	±0.50	±0.70	±1.00	±1.30	±1.60	0.10	0.30	0.60

A x2	ECN NO:201211 Revise the PART NO	Alice	2021/01/04
A x1	ECN NO:200718 Revise the Tolerance	Alice	2020/11/11
B x1	ECN 200102: Remove the IEC	David	2020/05/29
REV.	ECN NO. OR DESCRIPTION	REVISED	DATE

糧德精密有限公司
 Amtek Technology Co., Ltd.

TEL: 886-2-2260-6878
 FAX: 886-2-2260-8030

品名 TITLE	13.0mm Terminal Block				頁數 Page	1/1
品號 PART NO.	A 5TB130R-78REXXBLX-W1			繪圖 DRAWN	Roy 2019/01/04	
圖號 DRAWING NO.	GN011-R1121	版本 REV.	D	核對 CHECKED	Josh 2019/01/04	
客戶品號 CUSTOMER P/N		比例 SCALE	None	承認 APPROVED	Jason 2019/01/04	
公差 TOLERANCE		單位 UNIT	mm	THIRD ANGLE PROJECTION		