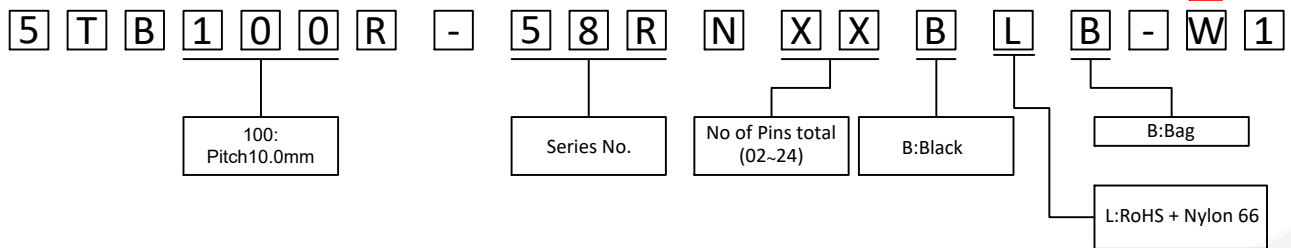


ELECTRICAL 

Standard: UL
 Rated Voltage: 300V
 Rated Current: 20A
 Contact Resistance: 20mΩ
 Insulation Resistance: 500MΩ / DC 500V
 Withstanding Voltage: AC 2000V for one minute
 Wire Range: 22~12AWG 2.5mm²

ORDER INFORMATION**MECHANICAL**

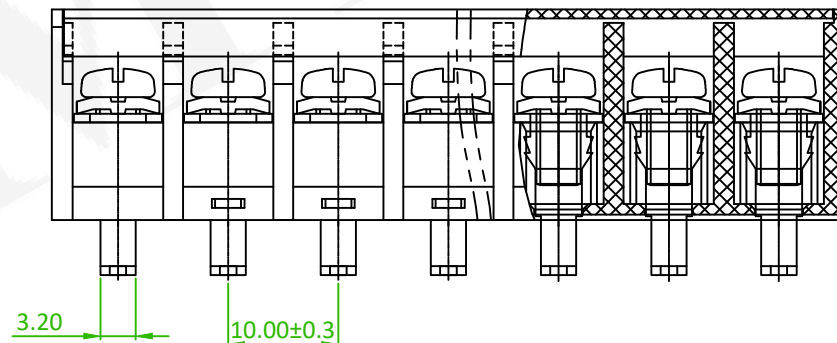
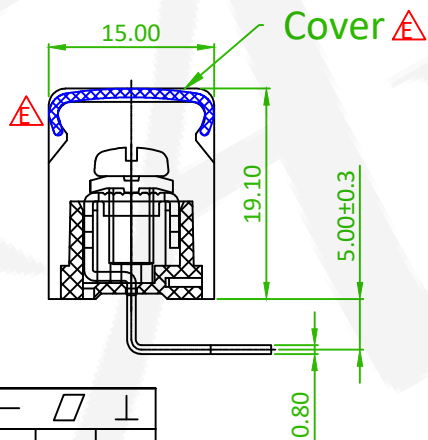
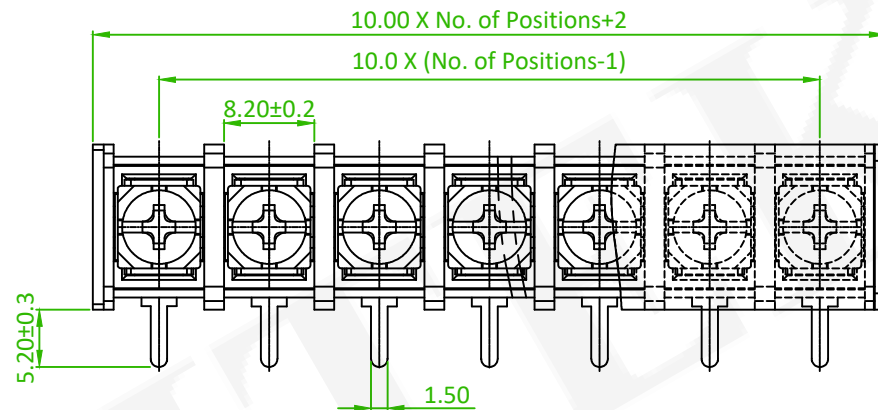
Torque: 1.2Nm (10.6Lb.in)
 Temp. Range: -40°C ~ +105°C
 Max Soldering: +250°C, for 5 Sec

DIMENSIONS

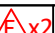


Pitch: 10.0mm
 Poles: 2-24P

MATERIAL

Housing: Nylon66, UL94V-0
 Screws: M4.0 Steel, Ni Plated
 Pin Header: Brass, Tin Plated



linear dimension (Tolerances Standard GB/T 14486-2008)										
variable range	to	over 6 to 10	over 10 to 30	over 30 to 60	over 60 to 100	over 100 to 160	over 160 to 10	over 10 to 100	over 100 to 100	
tolerance	±0.20	±0.30	±0.50	±0.70	±1.00	±1.30	±1.60	0.10	0.30	0.60

 x2	Add the Cover	Alice	2022/06/09
 x2	ECN NO:201211 Revise the PART NO.	Alice	2020/12/31
 x1	ECN NO:200718 Revise the Tolerance	Alice	2020/11/06
REV.	ECN NO. OR DESCRIPTION	REVISED	DATE



糧德精密有限公司
 Amtek Technology Co., Ltd.
 TEL: 886-2-2260-6878
 FAX: 886-2-2260-8030

品名 TITLE	Terminal Block				頁數 Page	1/1
品號 PART NO.	△ 5TB100R-58RNXXBLB-W1				繪圖 DRAWN	Mia 2017/01/05
圖號 DRAWING NO.	GN011-MC195	版本 REV.	E	核對 CHECKED	Jonny 2017/01/05	
客戶品號 CUSTOMER P/N		比例 SCALE	None	承認 APPROVED	Aaron 2017/01/05	
公差 TOLERANCE		單位 UNIT	mm	THIRD ANGLE PROJECTION	