

**MATERIAL**

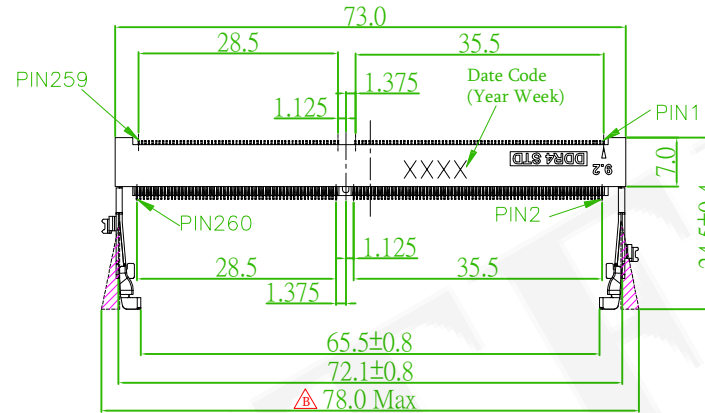
Insulator: LCP, UL94V-0 , Black  
Contact Pin: Copper Alloy

**ORDER INFORMATION**

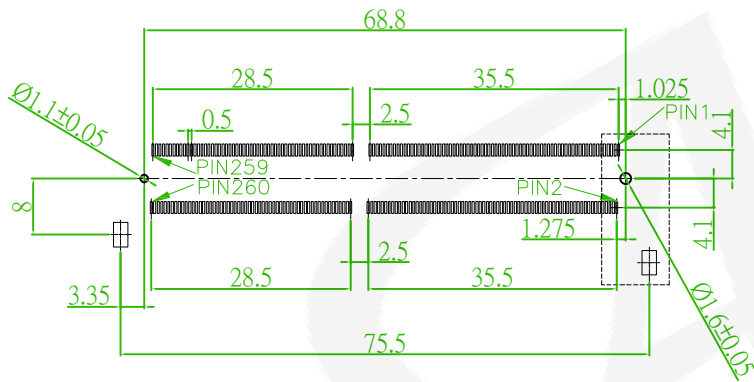
5 S D 4 5 H S 3 9 - A 3 G 0 B H U - A 1



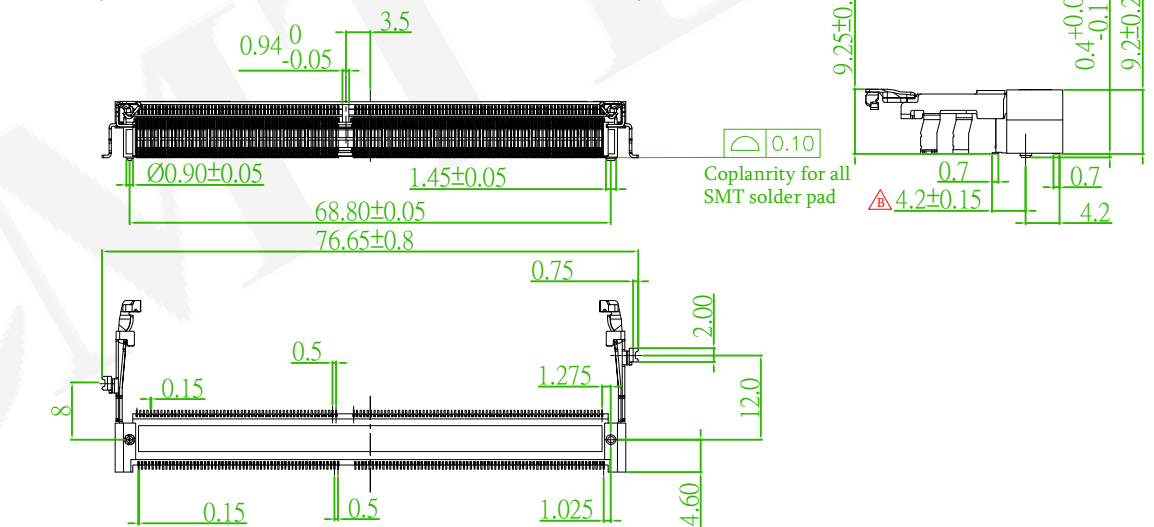
No. of contacts (A3:260PIN)    G0:Gold Flash    B:Black    H:T/R without CAP    RoHS



AMTEK 耀德  
2023.01.09  
Released DCC



PCB LAYOUT  
TOLERANCE ±0.1



<p>Amtek Technology Co., Ltd. TEL: 886-2-2260-6878 FAX: 886-2-2260-8030</p>	品名 TITLE	DDR4			頁數 Page	1/1
	品號 PART NO.	5SD45HS39-A3G0BHU-A1			繪圖 DRAWN	Andy 2017/08/31
	圖號 DRAWING NO.	GW039-AA015	版本 REV.	B	核對 CHECKED	Carol Liu 2017/08/31
	客戶品號 CUSTOMER P/N		比例 SCALE	FREE	承認 APPROVED	Jason 2017/08/31
	公差 TOLERANCE	.X ±0.2	單位 UNIT	mm	THIRD ANGLE PROJECTION	
		.XX ±0.1				

REV.	QEC NO.221202 Revisie the Drawing	Benson	2023/01/04
	ECN NO. OR DESCRIPTION	REVISED	DATE