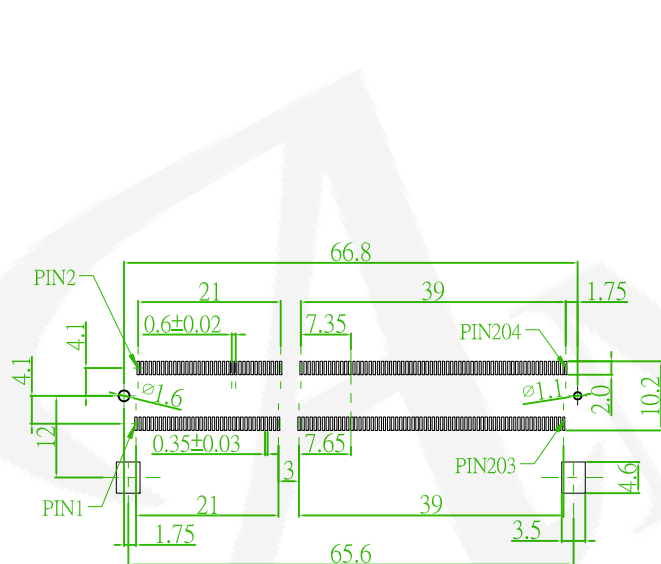


**MATERIAL**

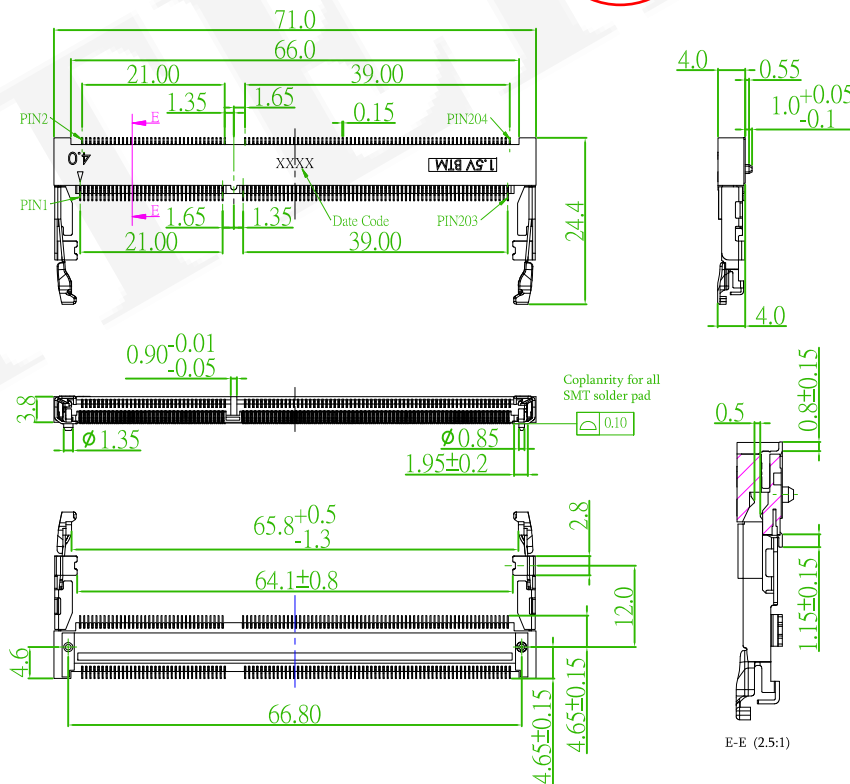
Insulator: LCP, UL94V-0 , Black  
Contact Pin: Copper Alloy

**ORDER INFORMATION**

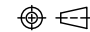
5 S D 3 6 H R 1 4 - A 2 G 0 B H U - A 1



PCB LAYOUT : TOLERANCE ±0.1



|      |                        |         |      |
|------|------------------------|---------|------|
| REV. | ECN NO. OR DESCRIPTION | REVISED | DATE |
|------|------------------------|---------|------|

|   |                      |                      |             |      |                              |   |
|---|----------------------|----------------------|-------------|------|------------------------------|---|
| <br>糧德精密有限公司<br>Amtek Technology Co., Ltd.<br>TEL: 886-2-2260-6878<br>FAX: 886-2-2260-8030 | 品名<br>TITLE          | DDR3                 |             |      | 頁數<br>Page                   | 1/1   |
|   | 品號<br>PART NO.       | 5SD36HR14-A2G0BHU-A1 |             |      | 繪圖<br>DRAWN                  | Andy<br>2017/08/30  |
|   | 圖號<br>DRAWING NO.    | GW039-AA008          | 版本<br>REV.  | A    | 核對<br>CHECKED                | Carol Liu<br>2017/08/30   |
|   | 客戶品號<br>CUSTOMER P/N |                      | 比例<br>SCALE | FREE | 承認<br>APPROVED               | Jason<br>2017/08/30   |
|   | 公差<br>TOLERANCE      | .X ±0.1<br>.XX ±0.05 | 單位<br>UNIT  | mm   | THIRD<br>ANGLE<br>PROJECTION |  |