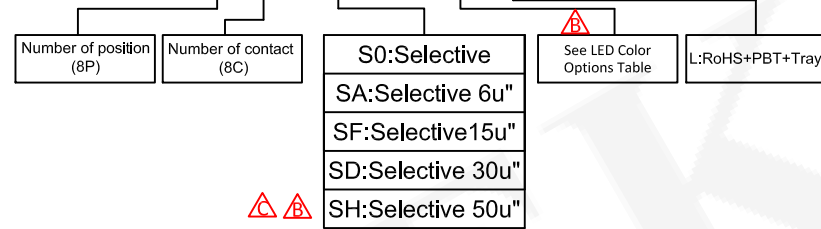


Notes :

- Complies with IEEE standards and all 10/100 Ethernet specifications including 350uH with 8mA DC bias
- Intergrated Mag-modular design provides higher reliability and conserves minimizing PCB space
- Different color of LEDs option available
- Operating temperature : 0°C to +70°C
- Housing : PBT+30%G.F, UL94V-0, Black
- Input Terminal : Brass
- Contact : Phosphor Bronze
- Shield & Plating : Copper Alloy With Nickel Plated

ORDER INFORMATION

5 R T 1 D R 2 O R 2 N - 8 8 X X S X L - 001 - E 2

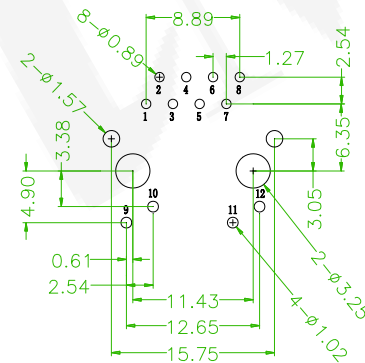
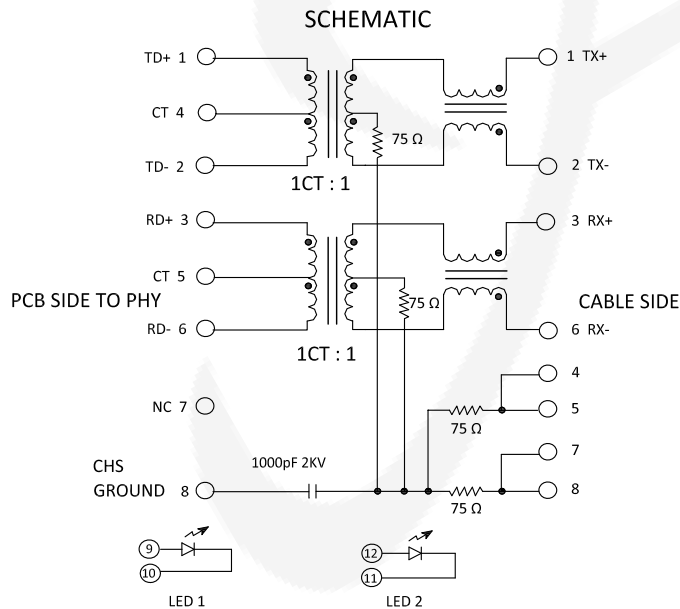


Electrical Specifications (25°C)

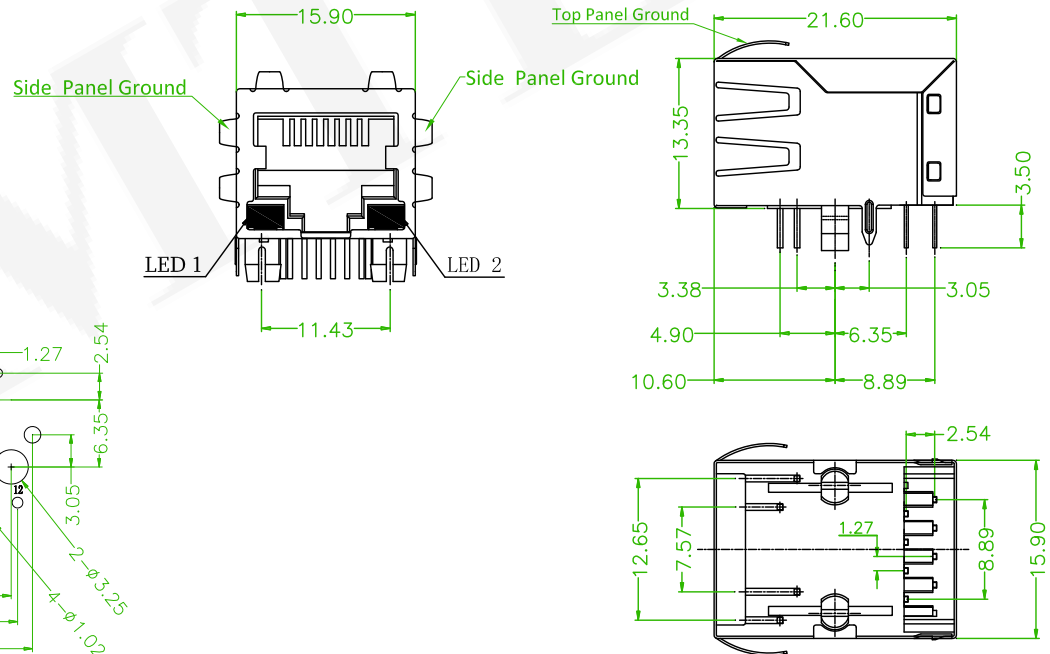
1. Turns Ratio: @100KHz, 0.1V: 1:1±3%	4. Common Mode Rejection: @1~100MHz: -30dB Min @200MHz: -20dB Min
2. Insertion Loss: @1~100MHz : -1.0dB Max	5. Crosstalk: @1~100MHz : -30dB Min
3. Return Loss: @1~30MHz : -20dB Min @ 60~80MHz : -12dB Min	6. OCL: @100KHz, 0.1V 8mADC : 350uH Min
	7. Hi-Pot : 1200V AC, 1mA, 1Sec

LED Color Options Table

Left(LED1)	Right(LED2)	No.
Yellow	Green	1
Yellow	Yellow	2
Green	Yellow	3
Green	Green	4



Suggested PCB Layout
(Component Side View)
Tolerance: ±0.05



Old P/N: 54TMJDR21-8821S0BLA-001-01

△x1	Add: Plated: S0:Sevelctive	David	2020/02/07
△x4	ECN NO.:180605 1.Revise the Led Table 2.Revise the Plated:S5->SH	Mia	2018/09/25
REV.	ECN NO. OR DESCRIPTION	REVISED	DATE

糧德精密有限公司
Amtek Technology Co., Ltd.
TEL: 886-2-2260-6878
FAX: 886-2-2260-8030

品名 TITLE	MODULAR JACK SHIELDED SIDE ENTRY WITH LED			頁數 Page	1/1
品號 PART NO.	5RT1DR2OR2N-88XXSXL-001-E2	繪圖 DRAWN	Eloise 2017/05/19		
圖號 DRAWING NO.	GN052-EL448	版本 REV.	C	核對 CHECKED	Jerry 2017/05/19
客戶品號 CUSTOMER P/N		比例 SCALE	1 : 1	承認 APPROVED	Aaron 2017/05/19
公差 TOLERANCE	.X ± 0.38 .XX ± 0.25	單位 UNIT	mm	THIRD ANGLE PROJECTION	