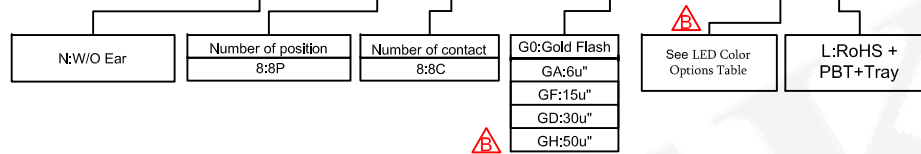


**Feature:**

- Complies with IEEE standards and all 10/100 Ethernet specifications including 350uH with 8mA DC bias
- Intergrated Mag-modular design provides higher reliability and conserves minimizing PCB space
- Housing: Thermoplastic PBT+30%GF UL94V0 rated
- Contact :Phosphor Bronze C5191,Thickness=0.35mm plated Nickel 30u" Min,Content area Gold plated
- Input Terminal : Brass ,Thickness=0.35mm
- Finish : 120μ" min Tin over 50μ" min Nickel
- Metal shielding:Copper alloy with Nickel plated(C2680), Thickness=0.20mm Ni 30u" Min
- Different color of LEDs option available
- Operating temperature:0°C to +70°C
- Storage temperature: -40°C to +85°C

**ORDER INFORMATION**

5 R T 1 D R 1 0 R 2 N - 8 8 X X S X L - 001 - E 2

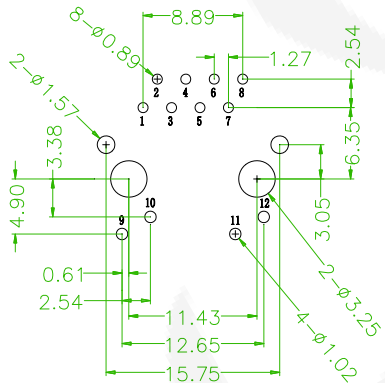


Left(LED1)	Right(LED2)	No.
Yellow	Green	1
Yellow	Yellow	2
Green	Yellow	3
Green	Green	4

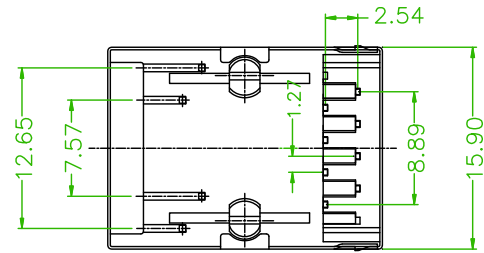
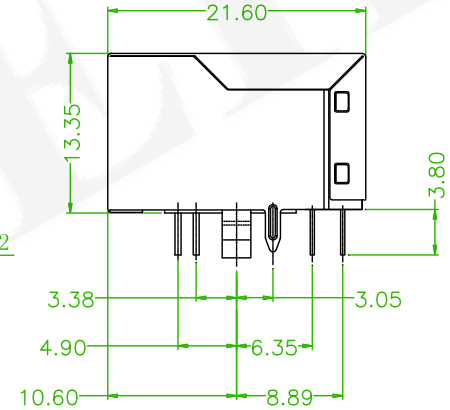
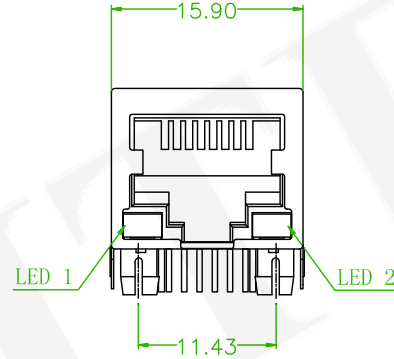
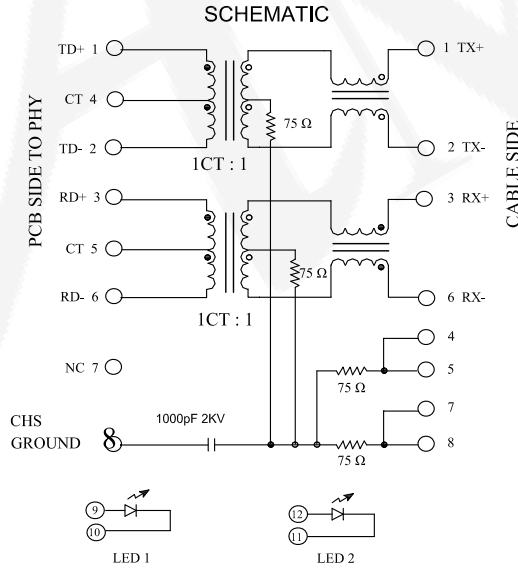
Electrical Specifications: (25 °C)

1. Turns Ratio: TX & RX= 1:1±5%	4. Common Mode Rejection: @1~100MHz: -30dB Min @200MHz: -20dB Min
2. Insertion Loss: @1~80MHz: -1.0dB Max @100MHz~1.2dB Max	5. Crosstalk: @1~100MHz: -35dB Min
3. Return Loss: @1~30MHz: -20dB Min @60~80MHz: -12dB Min	6. OCL: @100KHz, 0.1V 8mA DC: 350uH Min
	7. HI-Pot: 1200VAC, 1mA, 1Sec

Lead-free process,compliant RoHS



Suggested PCB Layout(Component side view)  
Tolerance:±0.05



REV.	ECN NO.:180605	Mia	2018/09/25
	1.Revise the Led Table 2.Revise the Plated:G5->GH		
	ECN NO. OR DESCRIPTION	REVISED	DATE

 糧德精密有限公司 Amtek Technology Co., Ltd. TEL: 886-2-2260-6878 FAX: 886-2-2260-8030	品名 TITLE	MODULAR JACK SHIELDED SIDE ENTRY				頁數 Page	1/1
	品號 PART NO.	5RT1DR10R2N-88XXSXL-001-E2				繪圖 DRAWN	Roy 2016/10/05
	圖號 DRAWING NO.	GN052-MD498		版本 REV.	B	核對 CHECKED	Jonny 2016/10/05
	客戶品號 CUSTOMER P/N			比例 SCALE	None	承認 APPROVED	Aaron 2016/10/05
	公差 TOLERANCE	.X ±0.38	.XX ±0.25	單位 UNIT	mm	THIRD ANGLE PROJECTION	