

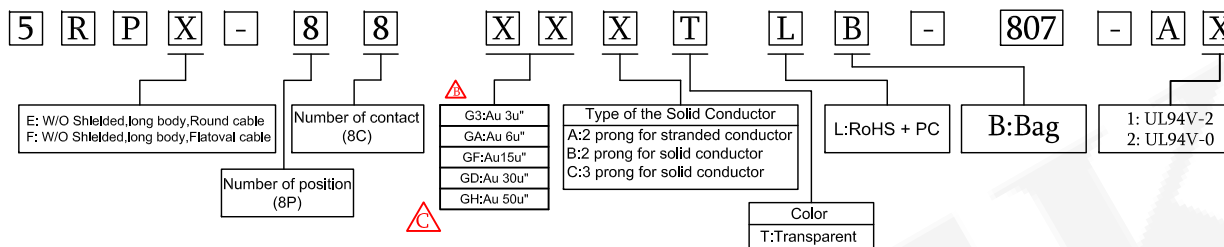
### SPECIFICATION

Current Rating: 1.5 AMP  
 Insulation Resistance: 500MΩ Min.  
 Contact Resistance: 20mΩ Max.  
 Dielectric Voltage: 1000VAC for one minute  
 Operation Temperature: -40 °C to +85 °C  
 Durability: 750 Cycles.

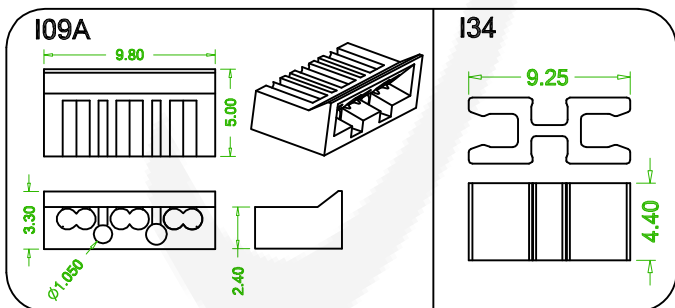
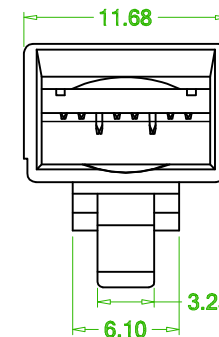
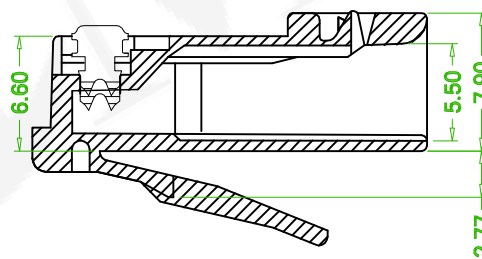
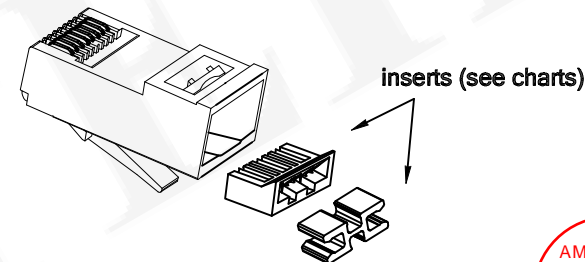
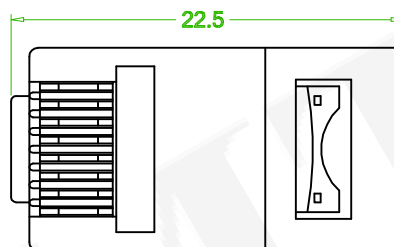
### MATERIAL

Insulator: PC , UL94V-2 or UL94V-0  
 Contact Pin: Copper Alloy

### ORDER INFORMATION



Type of Solid Conductor	
A	
B	
C	



charts

REV.	ECN NO. OR DESCRIPTION	REVISED	DATE
△x1	ECN NO. : 180605. Revise the plated : G5->GH	Eric	2018/11/22
△x1	ECN NO. : 170801. Revise platings: S3, SA, SF, SD, S5 -> G3, GA, GF, GD, G5.	Gary	2017/08/10

糧德精密有限公司  
 Amtek Technology Co., Ltd.  
 TEL: 886-2-2260-6878  
 FAX: 886-2-2260-8030

品名 TITLE	MODULAR PLUG 8 POSITION LONG BODY			頁數 Page	1/1
品號 PART NO.	5RPX-88XXXTLB-807-AX			繪圖 DRAWN	Eloise 2017/06/26
圖號 DRAWING NO.	GW005-EL522	版本 REV.	C	核對 CHECKED	Josh 2018/11/22
客戶品號 CUSTOMER P/N		比例 SCALE	1 : 1	承認 APPROVED	Jason 2018/11/22
公差 TOLERANCE		單位 UNIT	mm	THIRD ANGLE PROJECTION	