

MATERIAL

Housing & Insert: P.B.T , UL94V-0 , Black
 Conductor: 0.35x0.42 mm thickness Copper Alloy
 Gold plated over nickel on contact area,
 Tin plated over nickel on solder area.
 Shield: Copper plated nickel.

ORDER INFORMATION

5 R J 1 D S 1 0 R 1 N - X X X X 0 0 L - 264 - A 1

1: With Shielded

N:W/O Ear

Number of position
8:8P
A:10P

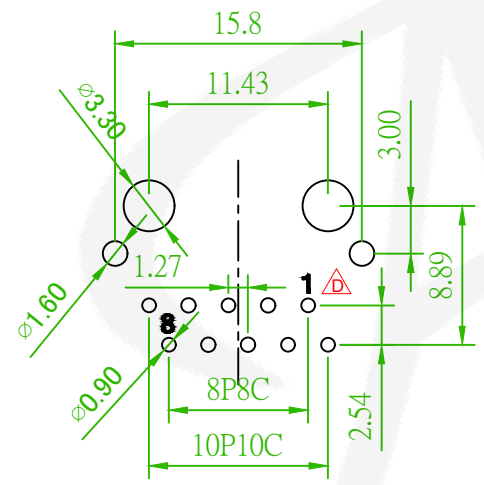
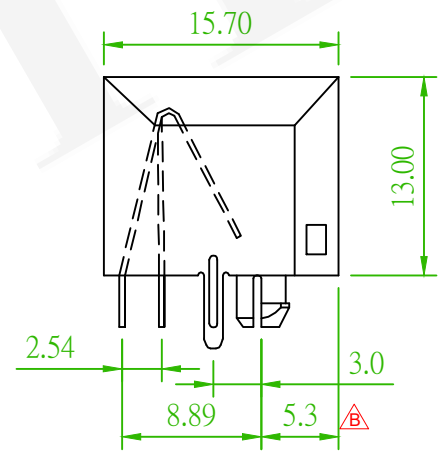
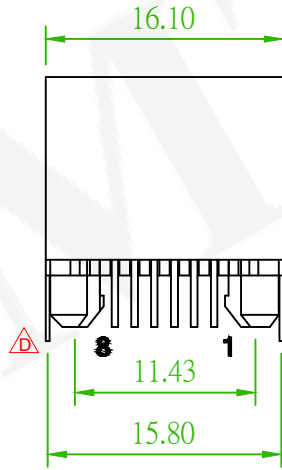
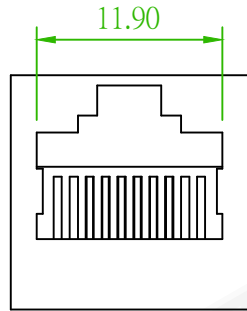
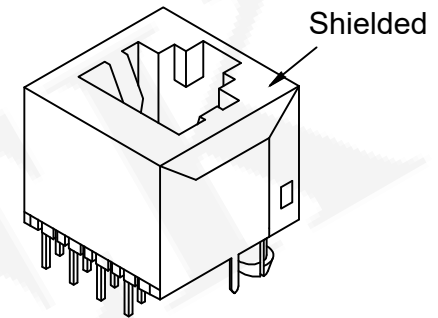
Number of contact
8:8C
A:10C

SA:Selective 6u"
SF:Selective 15u"
SD:Selective 30u"
SH:Selective 50u"

L:RoHS
+PBT+Tray



AMTEK 耀德
 2022.05.17
 Released DCC



Recommended PCB Layout
 (PCB TOLERANCE ±0.05)

Old Part No.:S264-L

Amtek Technology Co., Ltd.
 TEL: 886-2-2260-6878
 FAX: 886-2-2260-8030

品名 TITLE	MODULAR JACK SHIELDED TOP ENTRY THROUGH HOLE H=13.0 W=15.7			頁數 Page	1/1
品號 PART NO.	5RJ1DS10R1N-XXXX00L-264-A1			繪圖 DRAWN	Jeff 2015/09/16
圖號 DRAWING NO.	GW005-MD534	版本 REV.	D	核對 CHECKED	John 2015/09/16
客戶品號 CUSTOMER P/N		比例 SCALE	None	承認 APPROVED	John 2015/09/16
公差 TOLERANCE	.X ±0.25 .XX ±0.20	單位 UNIT	mm	THIRD ANGLE PROJECTION	

	Add the Pin1~8 Description	Alice	2022/05/17
	Add the Dimensions	Benson	2022/02/25
	ECN NO.:180605,Revise the Plated:S5->SH	Mia	2018/10/01
REV.	ECN NO. OR DESCRIPTION	REVISED	DATE