

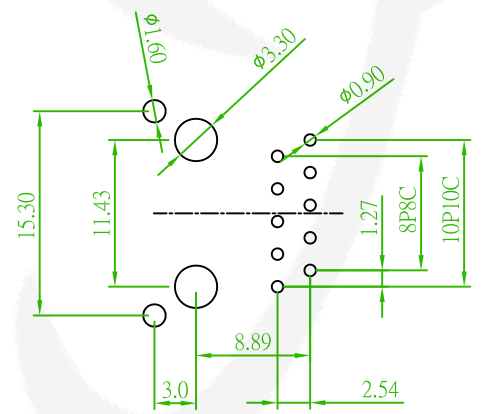
ORDER INFORMATION

MATERIAL&FINISH

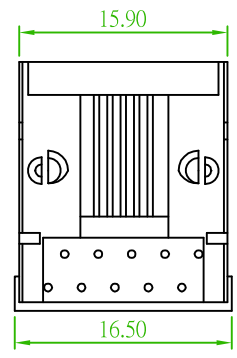
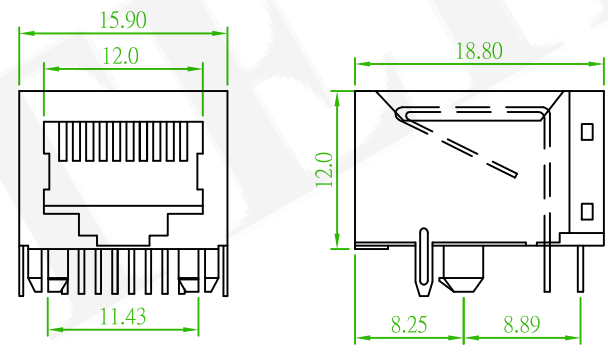
HOUSING: glass fiber, PBT. UL94V-0, BLACK
 CONTACT: 0.35 mm thickness phosphor bronze,
 Gold plated over Nickel on contact area,
 Tin plated over Nickel on solder area.

5 R J 1 D R 1 0 F 1 N - X X X X 0 0 L - 9 5 0 - A 1

N:W/O Ear	Number of position 8:8P A:10P	Number of contact 8:8C A:10C	SA:Selective 6u" SF:Selective 15u" SD:Selective 30u" SH:Selective 50u" ⚠	L:RoHS +PBT+Tray
-----------	-------------------------------------	------------------------------------	--	---------------------



Recommended PCB Layout
(PCB TOLERANCE ±0.05)



Old Part No.:S950-L

REV.	ECN NO. OR DESCRIPTION	REVISED	DATE
⚠x1	ECN NO.:180605,Revise the Plated:S5->SH	Mia	2018/10/01

糧德精密有限公司
 Amtek Technology Co., Ltd.
 TEL: 886-2-2260-6878
 FAX: 886-2-2260-8030

品名 TITLE	MODULAR JACK SHIELDED SIDE ENTRY H=12.1 W=18.8				頁數 Page	1/1
品號 PART NO.	5RJ1DR10F1N-XXXX00L-950-A1				繪圖 DRAWN	Jeff 2015/09/16
圖號 DRAWING NO.	GW005-MD525	版本 REV.	B	核對 CHECKED	John 2015/09/16	
客戶品號 CUSTOMER P/N		比例 SCALE	None	承認 APPROVED	John 2015/09/16	
公差 TOLERANCE	.X ±0.25 .XX ±0.20	單位 UNIT	mm	THIRD ANGLE PROJECTION		