

Specifications

Voltage Rating: 125 V
 Current Rating: 1.5 A
 Contact Resistance: 30 milliohms max.
 Insulation Resistance: 500 megaohms min.
 Dielectric Withstanding Voltage : 1000 V

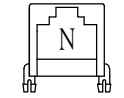
Material & Finish

Housing: P.B.T, UL94V-0, Black or Gray
 Insert: P.B.T, UL94V-0, 6P&4P-Black, 8P&10P-Gray
 Conductor: 0.45 mm diameter phosphor bronze,
 Plating: Gold plated over nickel.
 Temperature: -40°C ~ 70°C
 Durability: 750 cycles min.

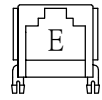
ORDER INFORMATION

5 R J 1 D R 0 0 N 0 X - X X X X 0 0 L - 628 - A X

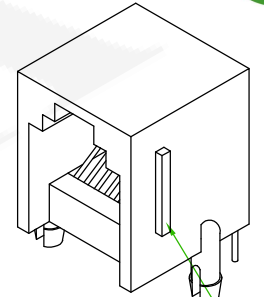
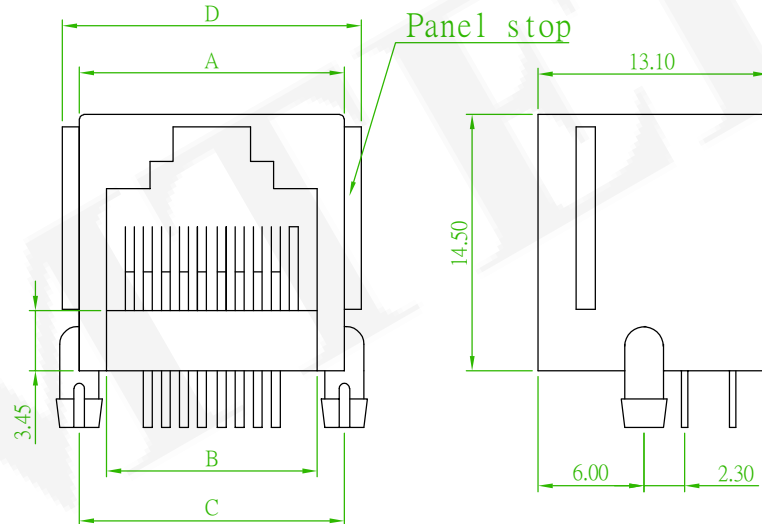
0: W/O Shielded	N:W/O Ear E:With Ear	Number of position 4:4P 6:6P 8:8P A:10P	Number of contact 2:2C 4:4C 6:6C 8:8C A:10C	G3:Gold 3u" GA:Gold 6u" GF:Gold 15u" GD:Gold 30u" GH:Gold 50u"	S3:Selective 3u" SA:Selective 6u" SF:Selective 15u" SD:Selective 30u" SH:Selective 50u"	L:RoHS + PBT+Tray	optional See table
-----------------	-------------------------	---	--	--	---	----------------------	-----------------------



Without Ear



With Ear



Panel Stop

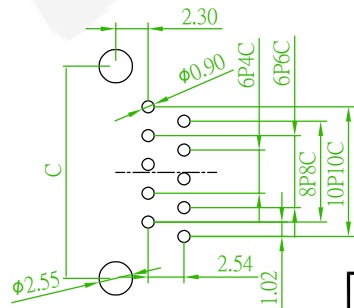
Table

Part No.	Pos.	Plated	Round/Stamping pin	Color	Schematic diagram
5RJ1DR00N0X-44GX00L-628-A1	4P4C	Gold plated	Round pin	Black	
5RJ1DR00N0X-44SX00L-628-A1	4P4C	Selective plated	Stamping pin	Black	
5RJ1DR00N0X-44GX00L-628-A2	4P4C	Gold plated	Round pin	Gray	
5RJ1DR00N0X-44SX00L-628-A2	4P4C	Selective plated	Stamping pin	Gray	
5RJ1DR00N0X-6XGX00L-628-A1	6P,2C/4C/6C	Gold plated	Round pin	Black	
5RJ1DR00N0X-6XSX00L-628-A1	6P,2C/4C/6C	Selective plated	Stamping pin	Black	
5RJ1DR00N0X-6XGX00L-628-A2	6P,2C/4C/6C	Gold plated	Round pin	Gray	
5RJ1DR00N0X-6XSX00L-628-A2	6P,2C/4C/6C	Selective plated	Stamping pin	Gray	
5RJ1DR00N0X-XXGX00L-628-A1	8P8C/10P10C	Gold plated	Round pin	Black	
5RJ1DR00N0X-XXSX00L-628-A1	8P8C/10P10C	Selective plated	Stamping pin	Black	
5RJ1DR00N0X-XXGX00L-628-A4	8P8C/10P10C	Gold plated	Round pin	Gray	
5RJ1DR00N0X-XXSX00L-628-A4	8P8C/10P10C	Selective plated	Stamping pin	Gray	

Part No.	Pos.	Plated	Round/Stamping pin	Color	Schematic diagram
5RJ1DR00N0X-6XGX00L-628-A3	6P,2C/4C/6C	Gold plated	Round pin	Black	
5RJ1DR00N0X-6XSX00L-628-A3	6P,2C/4C/6C	Selective plated	Stamping pin	Black	
5RJ1DR00N0X-6XGX00L-628-A4	6P,2C/4C/6C	Gold plated	Round pin	Gray	
5RJ1DR00N0X-6XSX00L-628-A4	6P,2C/4C/6C	Selective plated	Stamping pin	Gray	

Part No.	Pos.	Plated	Round/Stamping pin	Color	Schematic diagram
5RJ1DR00N0X-XXGX00L-628-A2	8P8C/10P10C	Gold plated	Round pin	Black	
5RJ1DR00N0X-XXSX00L-628-A2	8P8C/10P10C	Selective plated	Stamping pin	Black	
5RJ1DR00N0X-XXGX00L-628-A5	8P8C/10P10C	Gold plated	Round pin	Gray	
5RJ1DR00N0X-XXSX00L-628-A5	8P8C/10P10C	Selective plated	Stamping pin	Gray	

POSITION	CONTACT	A	B	C	D
4P	4C	10.00	7.85	10.00	12.00
(6P)4P	4C	12.20	7.85	12.00	14.20
6P	2C/4C/6C	12.20	9.90	12.00	14.20
8P	8C	15.00	11.85	15.00	16.90
10P	10C	15.00	11.85	15.00	16.90



Recommended PCB Layout (top view)
 (PCB TOLERANCE ±0.05)

Old Part No.:628-L

△x2	Add the Stamping pin & Plating options	Benson	2021/03/29
△x1	ECN NO. :180605, Revise the Plated:G5->GH	Mia	2018/09/27
△x2	Revised the Drawing	Jeff	2017/03/15
REV.	ECN NO. OR DESCRIPTION	REVISED	DATE

Amtek Technology Co., Ltd.
 TEL: 886-2-2260-6878
 FAX: 886-2-2260-8030

品名 TITLE		MODULAR JACK SIDE ENTRY H=14.5 W=13.1			頁數 Page	1/1
品號 PART NO.		5RJ1DR00N0X-XXXX00L-628-AX		繪圖 DRAWN	Jeff 2015/09/16	
圖號 DRAWING NO.		GW005-JF214		版本 REV.	D	核對 CHECKED John 2015/09/16
客戶品號 CUSTOMER P/N				比例 SCALE	None	承認 APPROVED John 2015/09/16
公差 TOLERANCE		.X ±0.25 .XX ±0.20		單位 UNIT	mm	THIRD ANGLE PROJECTION