

MATERIAL & FINISH

Housing & Insert: P.B.T. UL94V-0, White
 Contact: 0.35x0.42 mm thickness phosphor bronze,
 Gold plated over Nickel on contact area,
 Tin plated over Nickel on solder area.
 Shielded: Bronze Plated Nickel.

ORDER INFORMATION

5 R J 1 D D 1 0 N 0 N - 8 8 X X 0 0 L - 510 - A X

1: With Shielded

N:W/O Ear

Number of position (8P)

Number of contact (8C)

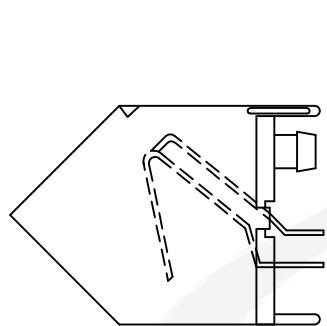
SA: Selective 6u"
 SF: Selective 15u"
 SD: Selective 30u"
 SH: Selective 50u"

L: RoHS + PBT+Tray

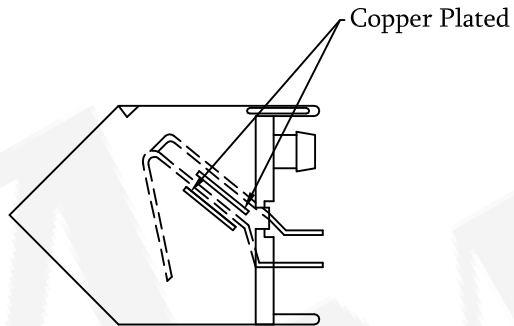
1: Without Copper Plate
 2: Copper Plate Inside
 3: Copper Plate with Mylar Inside



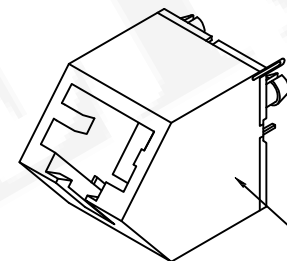
AMTEK 耀德
 2018.10.12
 Released DCC



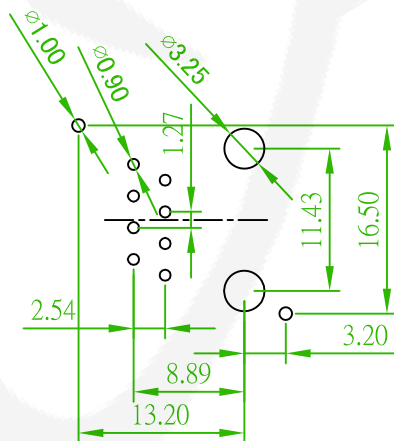
Without Copper Plate



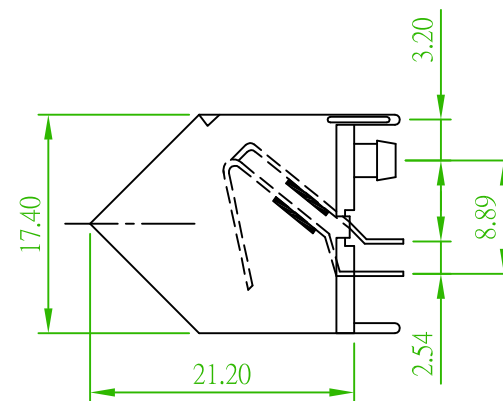
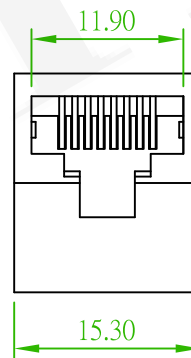
Copper Plate



Shielded



Recommended PCB Layout
 (PCB TOLERANCE ±0.1)



Copper Plate With Mylar Inside

Old Part No.:S510-L

REV.	ECN NO. OR DESCRIPTION	REVISED	DATE
△x1	ECN NO.:180605,Revise the Plated:S5->SH	Mia	2018/09/27

耀德精密有限公司
 Amtek Technology Co., Ltd.
 TEL: 886-2-2260-6878
 FAX: 886-2-2260-8030

品名 TITLE	MODULAR JACK SHIELDED TOP ENTRY H=21.2 W=17.4 FOR C6				頁數 Page	1/1
品號 PART NO.	5RJ1DD10N0N-88XX00L-510-AX				繪圖 DRAWN	Mia 2017/09/06
圖號 DRAWING NO.	GW005-MC640		版本 REV.	B	核對 CHECKED	Carol 2017/09/06
客戶品號 CUSTOMER P/N			比例 SCALE	None	承認 APPROVED	Jason 2017/09/06
公差 TOLERANCE	.X ±0.25 .XX ±0.20	單位 UNIT	mm	THIRD ANGLE PROJECTION		